

PARTS CATALOGUE

WR426FN	(5NG1)	U.S.A.
WR426F	(5NG2)	EUROPE
WR426FN	(5NG4)	OCEANIA,CANADA,S.AFRICA
WR400F	(5GS9)	EUROPE,OCEANIA

YAMAHA
GENUINE
Parts & Accessories

215NG-100E1

2006-02-21

NEWS No.	DATE	COMMENT
PE0-MC-040023	Apr.,23,2004	FIG.11: EXHAUSTLIST& ILLUSTRATION CORRECTION



A3

FOREWORD

This Parts Catalogue is related to the parts for the model(s) in the below frame. When you are ordering replacement parts, please refer to this Parts Catalogue and quote both part numbers and part names correctly.

WR426FN(5NG1,5NG4)/WR426F(5NG2)/WR400F(5GS9)

1. Modifications or additions which have been made after issue of the Parts Catalogue will be announced in the Yamaha Parts News.
It is advisable that you make necessary corrections to the Parts Catalogue according to the Yamaha Parts News.

2. Abbreviations
The Following abbreviations are used in this Parts Catalogue.

- "UR" Use specified parts number.
- "UN" Use as many as needed.
- "AP" Alternate Parts
- "LM" Local Made (Parts need to be ordered locally)
- "F#" Frame No. (Applicable machine No.)

3. Parts, which are to be supplied in an assembly, are listed with a dot(.) in front of the part name as shown below.

EXAMPLE
 CARBURETOR ASSY
 .JET, PILOT
 .NOZZLE, MAIN

4. Number of component for assembly
 The numeral appearing to the right of each component part indicates the quantity of parts for each assembly unit.

EXAMPLE

PART NO.	DESCRIPTION	Q'TY	REMARKS
2F5-83310-60	FRONT FLASHER LIGHT ASSY	2	
115-83311-60	.BULB (6V-18W)	1	
1M1-83309-60	.REFLECTOR	1	

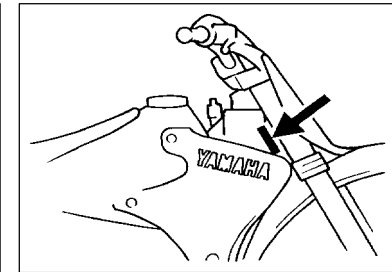
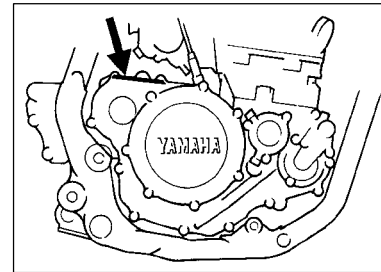
5. Applicable colors of graphics are represented in the "REMARKS" as shown below.

PART NO.	DESCRIPTION	Q'TY	REMARKS
2N4-24110-00-X5	.FUEL TANK COMP.	2	MXR
3J1-24240-10	.GRAPHIC, FUEL TANK	1	for MXR

6. Applicable Serial No.

Engine Serial No.

Frame Serial No.



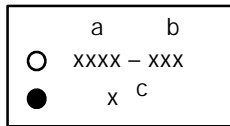
7. Note that the illustrations for reference in finding parts numbers, not to be used for assembling. When assembling, please use the applicable service manual.

8. The asterisk (*) before a reference number indicates modification items after the first edition.

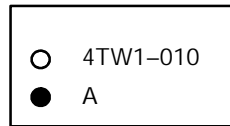
MODEL LABEL

(1) A label called "Model Label" is affixed in the location as indicated in (3) below.
 When using this parts catalogue, please be sure to cross-refer the "model code – production code No." in the catalogue to the "model code – production code No." indicated on the Model Label affixed onto the product concerned.

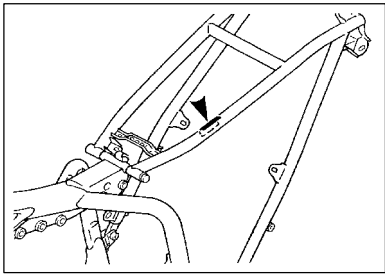
(2) "Model Label" Indication



a: Model Type Code
 b: Production Code No.
 c: Colouring Type



(3) Model Label Affixing Location

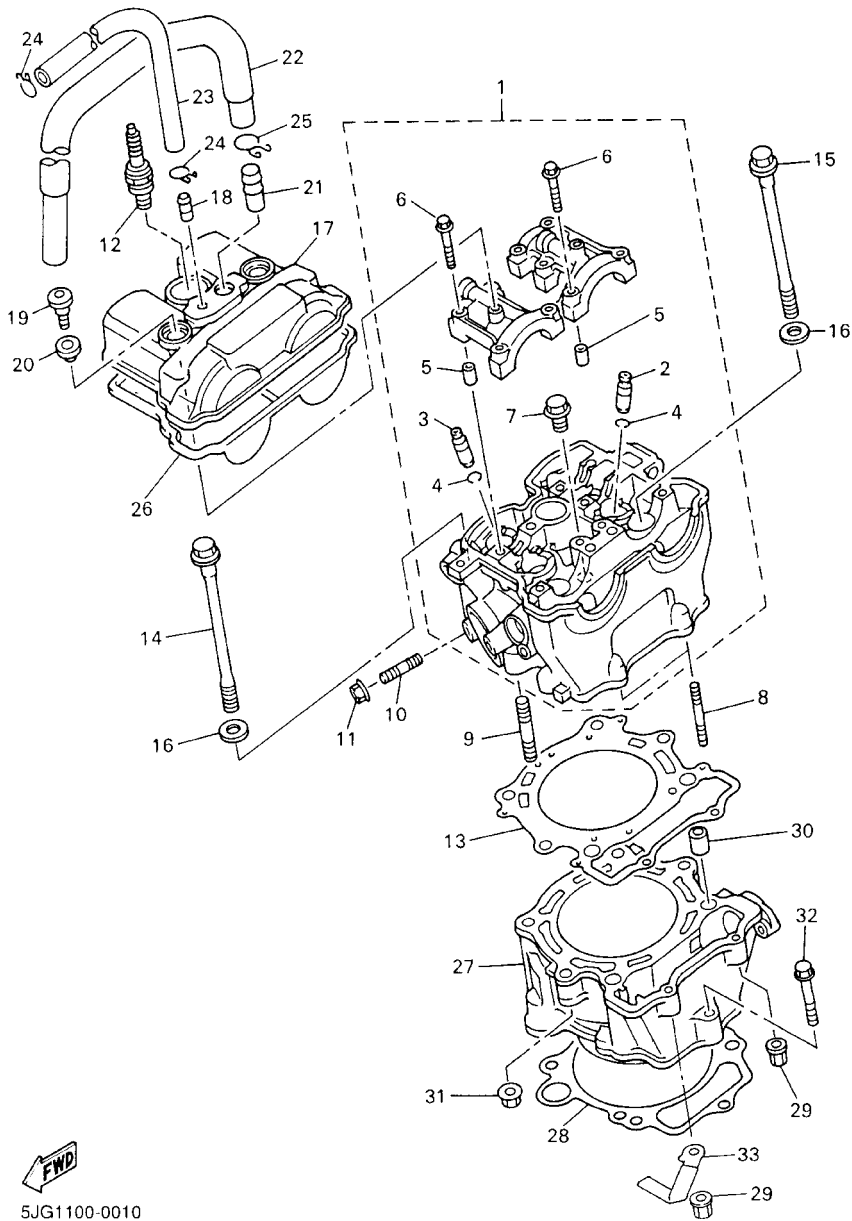


(4) Model Code – Production Code Number of Model Listed in This Parts Catalog

Model Code	Production Code No.	Country (destination)	Model Code	Production Code No.	Country (destination)
5NG1	010	U49	5NG4	040	S.AFRICA
5NG2	010	FRANCE	5GS9	010	FRANCE
	020	BELGIUM		020	AUSTRALIA
	030	GERMANY		030	BELGIUM
	040	SPAIN		040	GERMANY
	050	FINLAND		050	SPAIN
	050	IRELAND		060	FINLAND
	060	ENGLAND		070	ENGLAND
	070	GREECE		080	GREECE
	080	ITAY		090	ITAY
	090	PORTUGAL		100	PORTUGAL
100	SWEDEN	110		SWEDEN	
5NG4	010	AUSTRALIA			
	020	CANADA			
	030	NEWZEALAND			

(5) Colouring Information

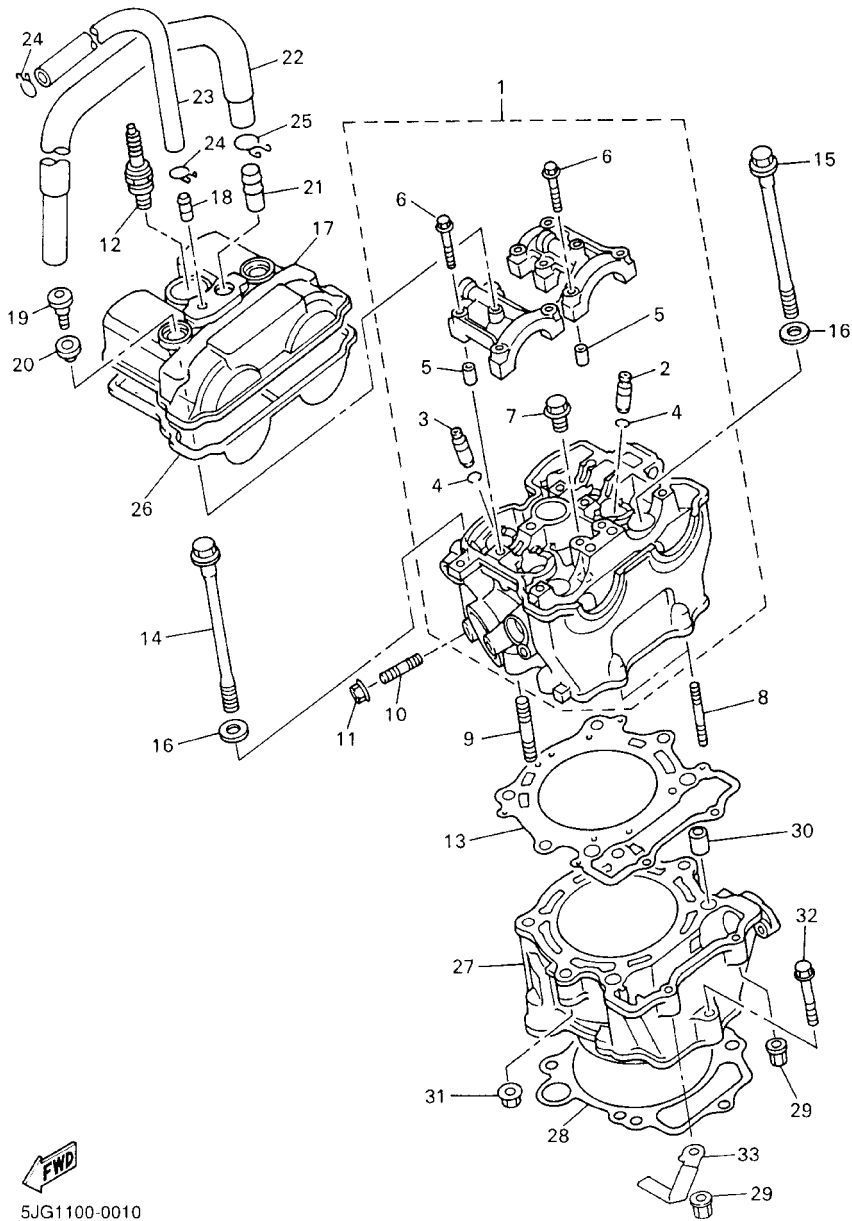
Colouring type code	Colour code	Colour Name	Abbreviation
A	0583	DEEP PURPLISH BLUE SOLID E	DPBSE



5JG1100-0010

FIG. 1 CYLINDER

REF. NO.	PART NO.	DESCRIPTION	5NG1	5NG2	5NG4	5GS9	REMARKS
1	5JG-11102-10	CYLINDER HEAD ASSY	1	1	1		
	5BE-11102-40	CYLINDER HEAD ASSY				1	
2	5BE-11133-10	.GUIDE, INTAKE VALVE	3	3	3	3	
3	5BE-11134-10	.GUIDE, EXHAUST VALVE	2	2	2	2	
4	93440-10153	.CIRCLIP	5	5	5	5	
5	91808-16023	.PIN, DOWEL	4	4	4	4	
6	90105-067A6	.BOLT, WASHER BASED	10	10	10	10	
7	90340-12112	.PLUG, STRAIGHT SCREW	1	1	1	1	
8	95617-06635	BOLT, STUD	2	2	2	2	
9	95617-08635	BOLT, STUD	2	2	2	2	
10	95617-08620	BOLT, STUD	1	1	1	1	
11	95707-08500	NUT, FLANGE	1	1	1	1	
12	94701-00330	PLUG, SPARK (NGK CR8E)	1	1	1	1	UR
	94701-00329	PLUG, SPARK (U24ESR-N)	1	1	1	1	UR
13	5JG-11181-00	GASKET, CYLINDER HEAD 1	1	1	1		
	5GR-11181-00	GASKET, CYLINDER HEAD 1				1	
14	90105-104A7	BOLT, WASHER BASED	2	2	2	2	
15	90105-106A3	BOLT, WASHER BASED	2	2	2	2	
16	90201-101A4	WASHER, PLATE	4	4	4	4	
17	5BE-11191-00	COVER, CYLINDER HEAD 1	1	1	1	1	
18	5BE-11167-00	PIPE, BREATHER 2	1	1	1	1	
19	90109-066F0	BOLT	2	2	2	2	
20	4KG-1111G-00	RUBBER, MOUNT 1	2	2	2	2	
21	371-11167-01	PIPE, BREATHER 2	1	1	1	1	
22	5BE-11166-00	PIPE, BREATHER 1	1	1	1	1	
23	90445-112K0	HOSE (L285)	1	1	1	1	
24	90467-11106	CLIP	2	2	2	2	

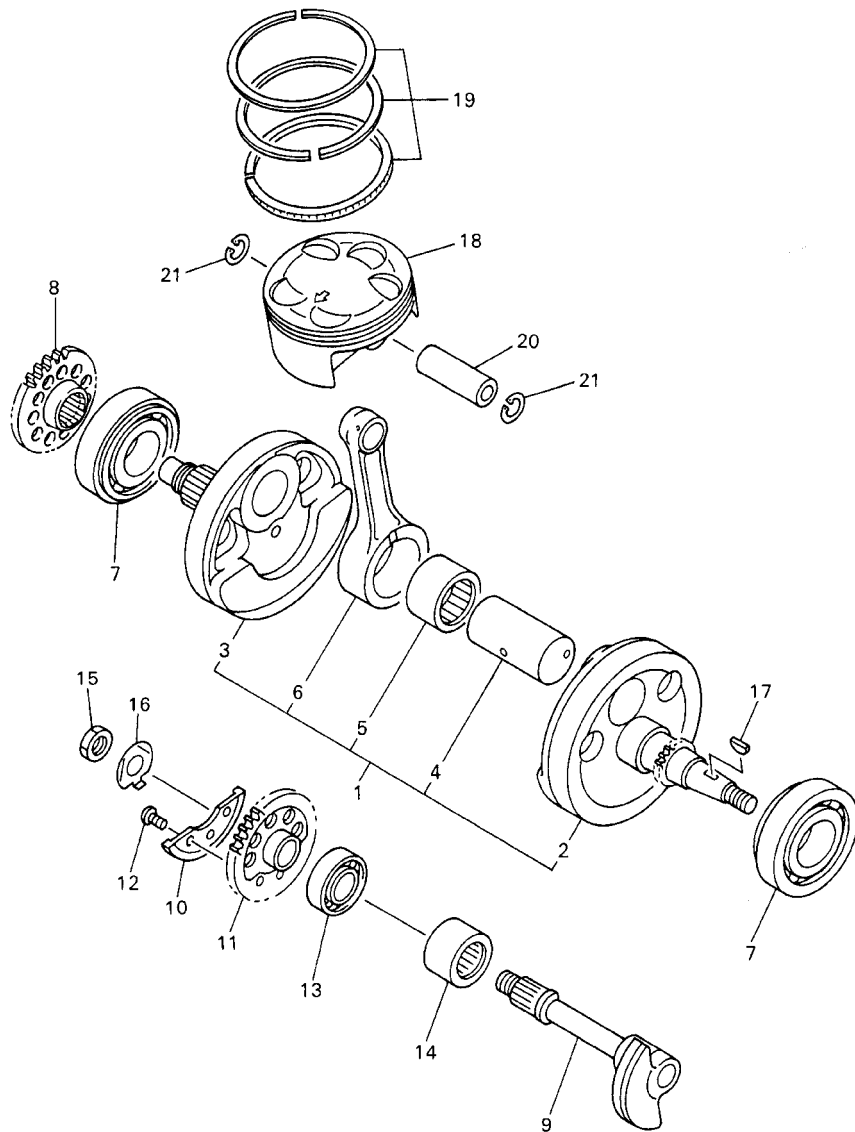


5JG1100-0010

FIG. 1 CYLINDER

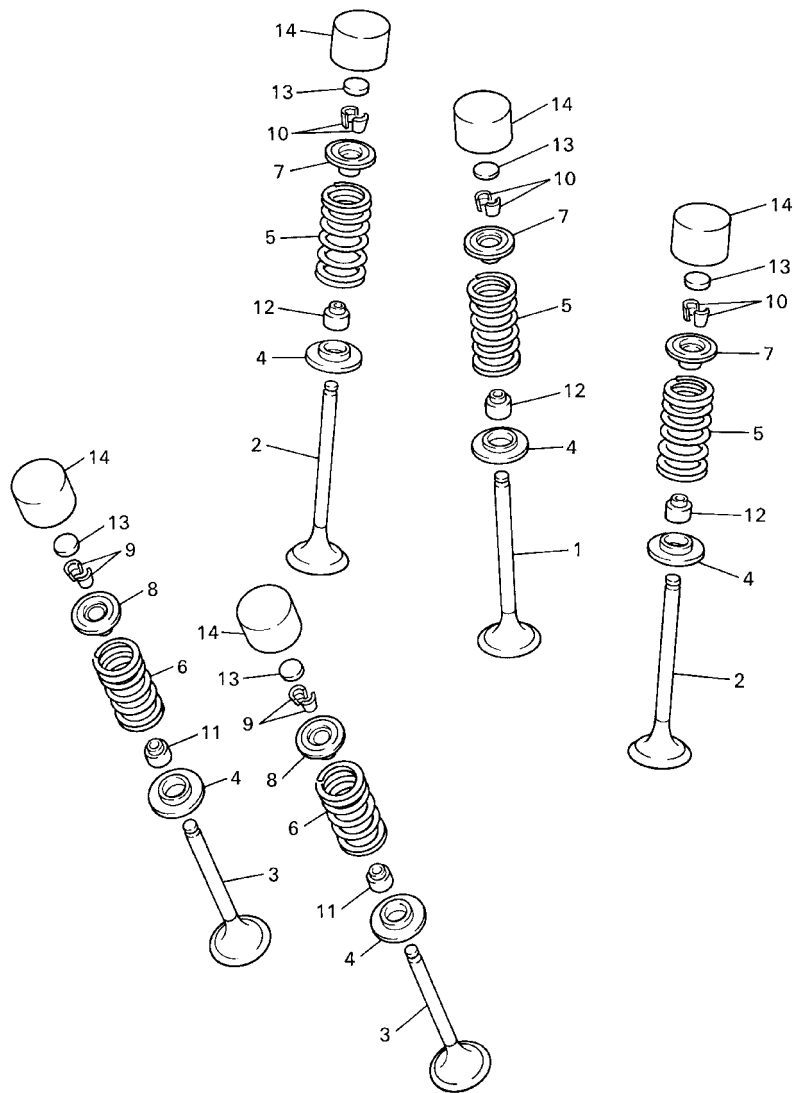
REF. NO.	PART NO.	DESCRIPTION	5NG1	5NG2	5NG4	5GS9	REMARKS
25	90467-14015	CLIP	1	1	1	1	
26	5BE-11193-10	GASKET, HEAD COVER 1	1	1	1	1	
27	5JG-11311-00	CYLINDER 1	1	1	1		
	5BE-11311-10	CYLINDER 1				1	
28	5BE-11351-00	GASKET, CYLINDER	1	1	1	1	
29	90179-06500	NUT	2	2	2	2	
30	93612-16254	PIN, DOWEL	2	2	2	2	
31	90179-08270	NUT	2	2	2	2	
32	95027-06040	BOLT, FLANGE	1	1	1	1	
33	5JG-11387-00	CLAMP, HOSE 1	1	1	1	1	

FIG. 2 CRANKSHAFT. PISTON



FWD
5NG1100-1020

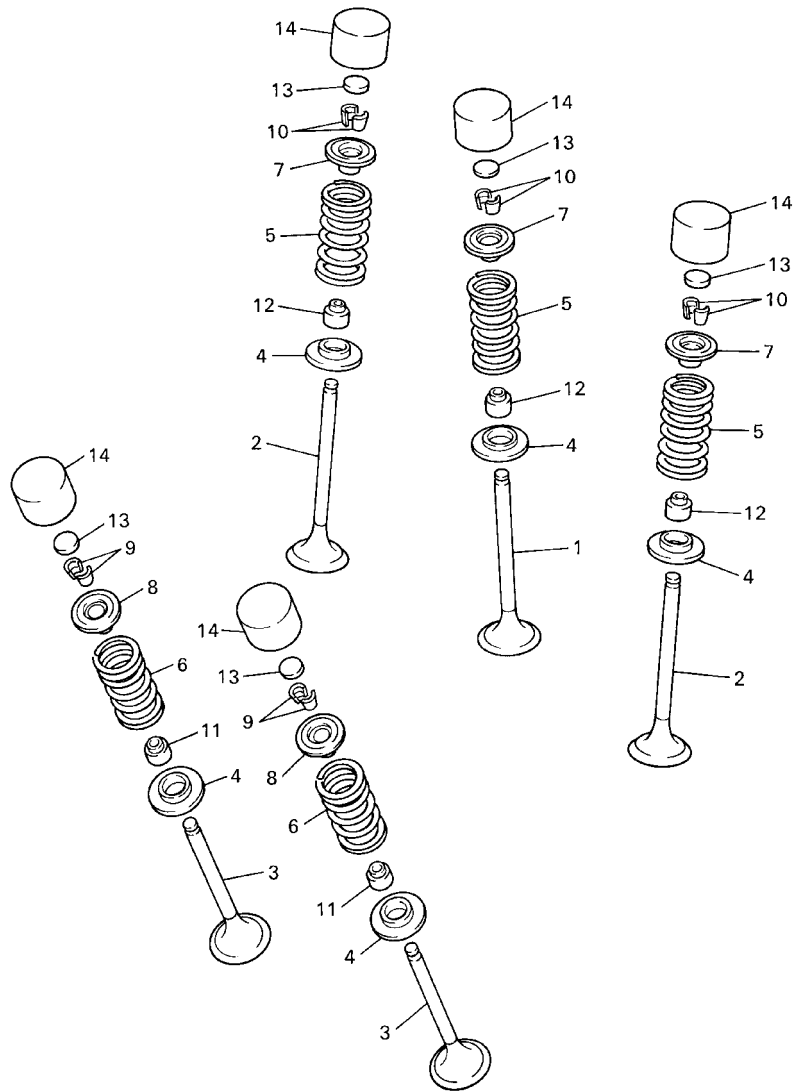
REF. NO.	PART NO.	DESCRIPTION	5NG1	5NG2	5NG4	5GS9	REMARKS
1	5JG-11400-10	CRANKSHAFT ASSY	1	1	1		
	5GS-11400-10	CRANKSHAFT ASSY				1	
2	5JG-11412-10	.CRANK 1	1	1	1	1	
3	5JG-11422-10	.CRANK 2	1	1	1	1	
4	5BE-11681-00	.PIN, CRANK 1	1	1	1	1	
5	93310-634B0	.BEARING	1	1	1	1	
6	5JG-11651-00	.ROD, CONNECTING	1	1	1		
	5BE-11651-10	.ROD, CONNECTING				1	
7	93306-30633	BEARING	2	2	2	2	
8	5JG-11536-00	GEAR, DRIVE	1	1	1	1	
9	5BE-11455-00	SHAFT 1	1	1	1	1	
10	5BE-11454-00	WEIGHT 1	1	1	1	1	
11	5BE-11531-00	GEAR, BALANCE WT	1	1	1	1	
12	90149-06250	SCREW	3	3	3	3	
13	93306-20335	BEARING	1	1	1	1	
14	93311-62574	BEARING	1	1	1	1	
15	90170-14171	NUT	1	1	1	1	
16	90215-14204	WASHER, LOCK	1	1	1	1	
17	90280-03001	KEY, WOODRUFF	1	1	1	1	
18	5NG-11631-00	PISTON (STD)	1	1	1		
	5GR-11631-00	PISTON (STD)				1	
19	5JG-11603-00	PISTON RING SET (STD)	1	1	1		
	5BE-11603-00	PISTON RING SET (STD)				1	
20	5JG-11633-00	PIN, PISTON	1	1	1		
	5GR-11633-01	PIN, PISTON				1	
21	93420-19084	CIRCLIP	2	2	2		
	93420-18082	CIRCLIP				2	



5BE100-8030

FIG. 3 VALVE

REF. NO.	PART NO.	DESCRIPTION	5NG1	5NG2	5NG4	5GS9	REMARKS
1	5JG-12111-00	VALVE, INTAKE	1	1	1	1	
2	5JG-12112-00	VALVE, INTAKE 2	2	2	2	2	
3	5JG-12121-00	VALVE, EXHAUST	2	2	2	2	
4	3GM-12126-00	SEAT, VALVE SPRING 2	5	5	5	5	
5	5JG-12113-00	SPRING, VALVE INNER	3	3	3	3	
6	5JG-12114-00	SPRING, VALVE OUTER	2	2	2	2	
7	5BE-12117-00	RETAINER, VALVE SPRING	3	3	3	3	
8	4GY-12117-00	RETAINER, VALVE SPRING	2	2	2	2	
9	1AA-12118-00	COTTER, VALVE	4	4	4	4	
10	1WG-12118-00	COTTER, VALVE	6	6	6	6	
11	33M-12119-00	SEAL, VALVE STEM	2	2	2	2	
12	4SV-12119-00	SEAL, VALVE STEM	3	3	3	3	
13	3LD-12168-00	PAD, ADJUSTING (1.20)	5	5	5	5	UR
	3LD-12168-20	PAD, ADJUSTING (1.25)	5	5	5	5	UR
	3LD-12168-40	PAD, ADJUSTING (1.30)	5	5	5	5	UR
	3LD-12168-60	PAD, ADJUSTING (1.35)	5	5	5	5	UR
	3LD-12168-80	PAD, ADJUSTING (1.40)	5	5	5	5	UR
	3LD-12168-A0	PAD, ADJUSTING (1.45)	5	5	5	5	UR
	3LD-12168-F0	PAD, ADJUSTING (1.50)	5	5	5	5	UR
	3LD-12168-H1	PAD, ADJUSTING (1.55)	5	5	5	5	UR
	3LD-12168-K1	PAD, ADJUSTING (1.60)	5	5	5	5	UR
	3LD-12168-M1	PAD, ADJUSTING (1.65)	5	5	5	5	UR
	3LD-12168-R1	PAD, ADJUSTING (1.70)	5	5	5	5	UR
	3LD-12168-U1	PAD, ADJUSTING (1.75)	5	5	5	5	UR
	3LD-12168-W1	PAD, ADJUSTING (1.80)	5	5	5	5	UR
	3LD-12168-Y1	PAD, ADJUSTING (1.85)	5	5	5	5	UR
	3LD-12169-11	PAD, ADJUSTING (1.90)	5	5	5	5	UR

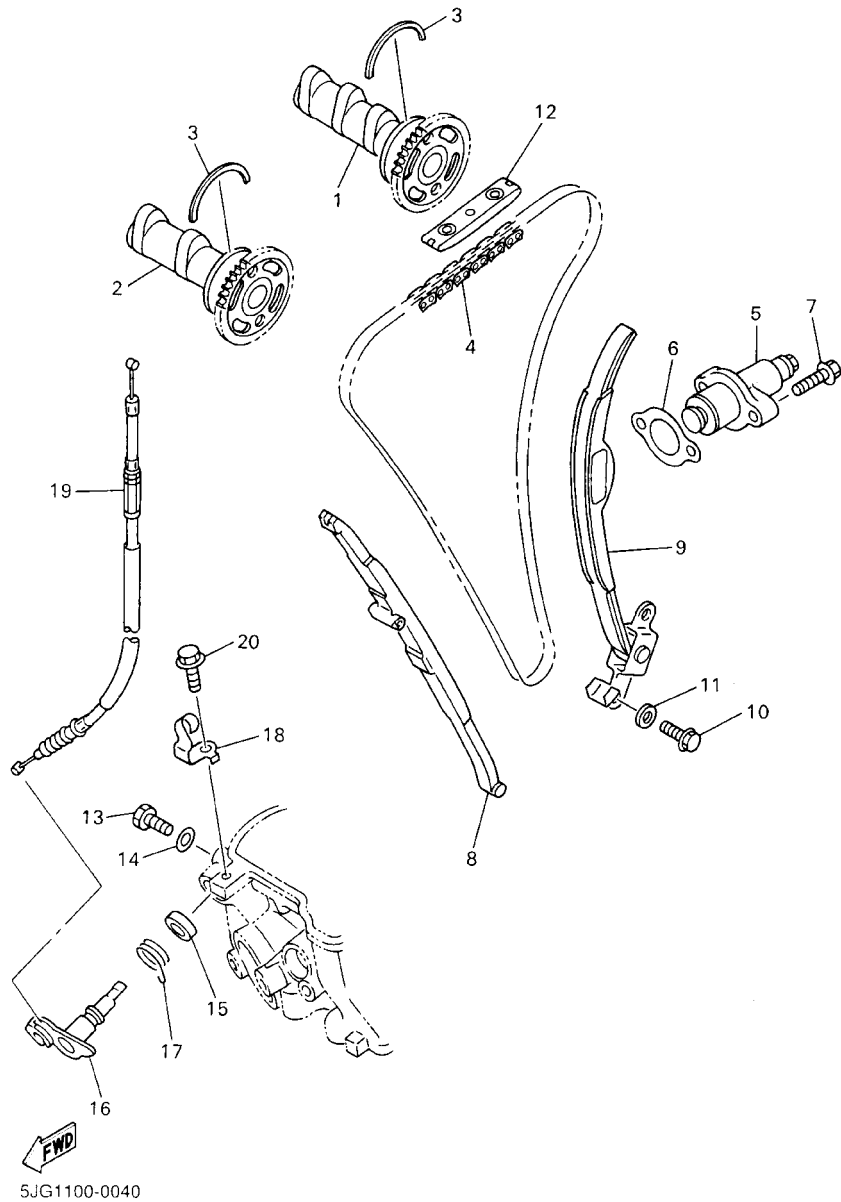


5BE100-8030

FIG. 3 VALVE

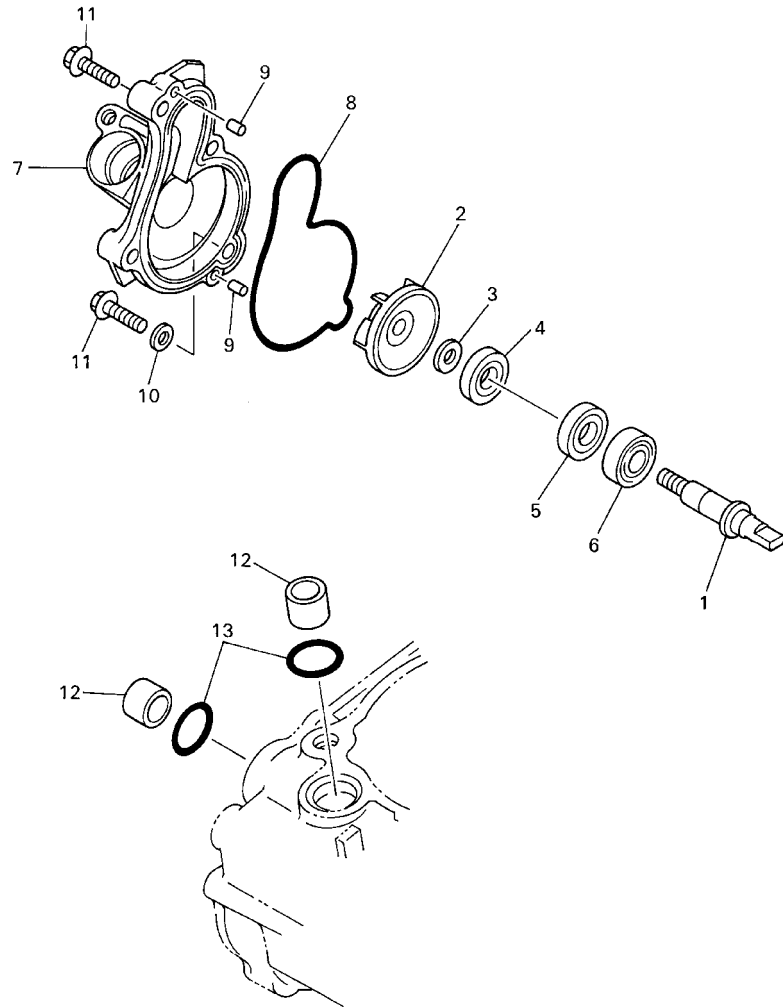
REF. NO.	PART NO.	DESCRIPTION	5NG1	5NG2	5NG4	5GS9	REMARKS
13	3LD-12169-31	PAD, ADJUSTING (1.95)	5	5	5	5	UR
	3LD-12169-50	PAD, ADJUSTING (2.00)	5	5	5	5	UR
	3LD-12169-70	PAD, ADJUSTING (2.05)	5	5	5	5	UR
	3LD-12169-90	PAD, ADJUSTING (2.10)	5	5	5	5	UR
	3LD-12169-E0	PAD, ADJUSTING (2.15)	5	5	5	5	UR
	3LD-12169-G0	PAD, ADJUSTING (2.20)	5	5	5	5	UR
	3LD-12169-J0	PAD, ADJUSTING (2.25)	5	5	5	5	UR
	3LD-12169-L0	PAD, ADJUSTING (2.30)	5	5	5	5	UR
	3LD-12169-N0	PAD, ADJUSTING (2.35)	5	5	5	5	UR
	3LD-12169-T0	PAD, ADJUSTING (2.40)	5	5	5	5	UR
14	3FV-12153-00	LIFTER, VALVE	5	5	5	5	UR BLACK
	3FV-12153-10	LIFTER, VALVE	5	5	5	5	UR YELLOW
	3FV-12153-20	LIFTER, VALVE	5	5	5	5	UR BLUE

FIG. 4 CAMSHAFT. CHAIN



REF. NO.	PART NO.	DESCRIPTION	5NG1	5NG2	5NG4	5GS9	REMARKS
1	5BF-12170-10	CAMSHAFT ASSY 1	1	1	1	1	
2	5BF-12180-01	CAMSHAFT ASSY 2	1	1	1	1	
3	93440-41178	CIRCLIP	2	2	2	2	
4	94591-50120	CHAIN	1	1	1	1	
5	5BE-12210-00	TENSIONER ASSY, CAM CHAIN	1	1	1	1	
6	4FM-12213-00	GASKET, TENSIONER CASE	1	1	1	1	
7	95027-06025	BOLT, FLANGE	2	2	2	2	
8	5BE-12251-10	DAMPER, CHAIN 1	1	1	1	1	
9	5BE-12252-00	DAMPER, CHAIN 2	1	1	1	1	
10	97027-06016	BOLT	2	2	2	2	
11	92907-06600	WASHER, PLATE	2	2	2	2	
12	5BE-12241-00	GUIDE, STOPPER 2	1	1	1	1	
13	90109-06418	BOLT	1	1	1	1	
14	90430-06014	GASKET	1	1	1	1	
15	93102-12224	OIL SEAL	1	1	1	1	
16	5BE-12280-10	DECOMPRESSION ASSY	1	1	1	1	
17	90508-162B2	SPRING, TORSION	1	1	1	1	
18	5BE-12283-00	BRACKET, DECOMPRESSION	1	1	1	1	
19	5BE-12292-10	CABLE, DECOMPRESSION	1	1	1	1	
20	95827-06014	BOLT, FLANGE	1	1	1	1	

FIG. 5 WATER PUMP

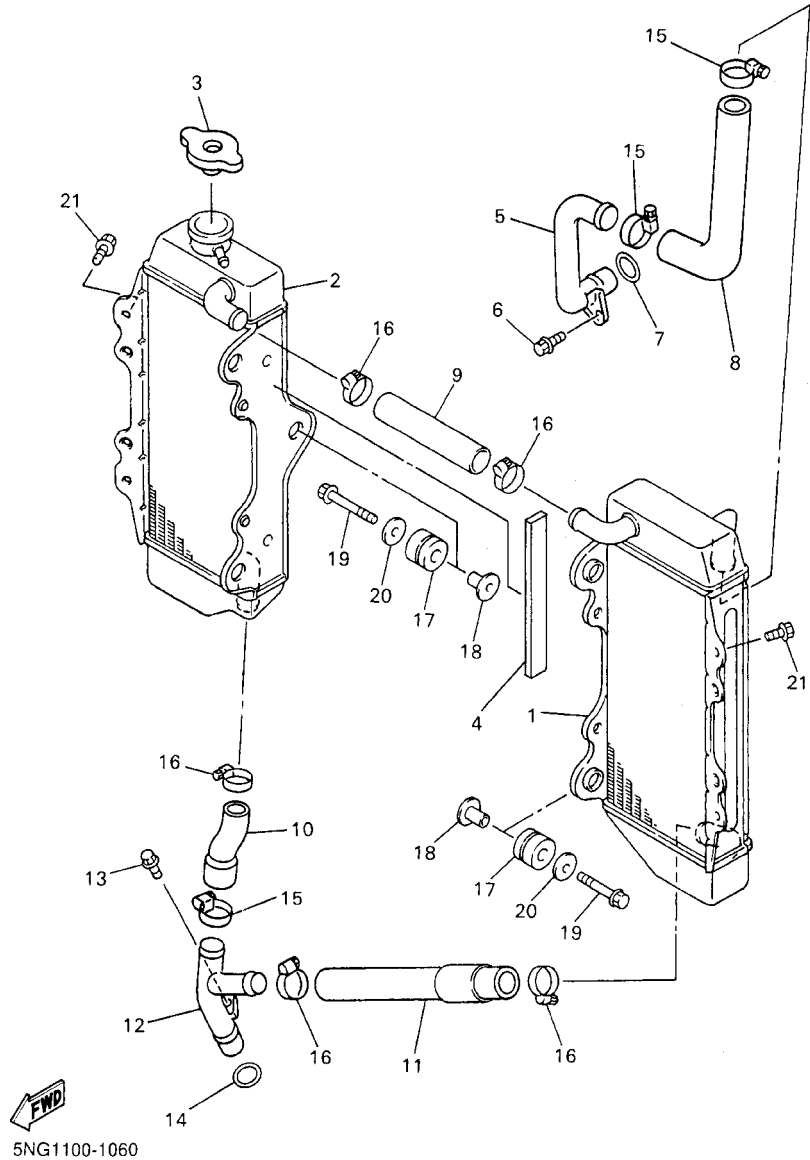


REF. NO.	PART NO.	DESCRIPTION	5NG1	5NG2	5NG4	5GS9	REMARKS
1	5GR-12458-00	SHAFT, IMPELLER	1	1	1	1	
2	5DJ-12451-00	IMPELLER, WATER PUMP	1	1	1	1	
3	90201-08512	WASHER, PLATE	1	1	1	1	
4	93109-11073	OIL SEAL	1	1	1	1	
5	93102-12106	OIL SEAL (SD 12-22-5 HS)	1	1	1	1	
6	93306-00105	BEARING (B6001)	1	1	1	1	
7	5BE-12422-10	COVER, HOUSING	1	1	1	1	
8	5BE-12439-00	O-RING	1	1	1	1	
9	93604-10011	PIN, DOWEL	2	2	2	2	
10	90430-06014	GASKET	1	1	1	1	
11	95027-06025	BOLT, FLANGE	4	4	4	4	
12	5BE-12564-00	PIPE, WATER	2	2	2	2	
13	93210-19758	O-RING	2	2	2	2	



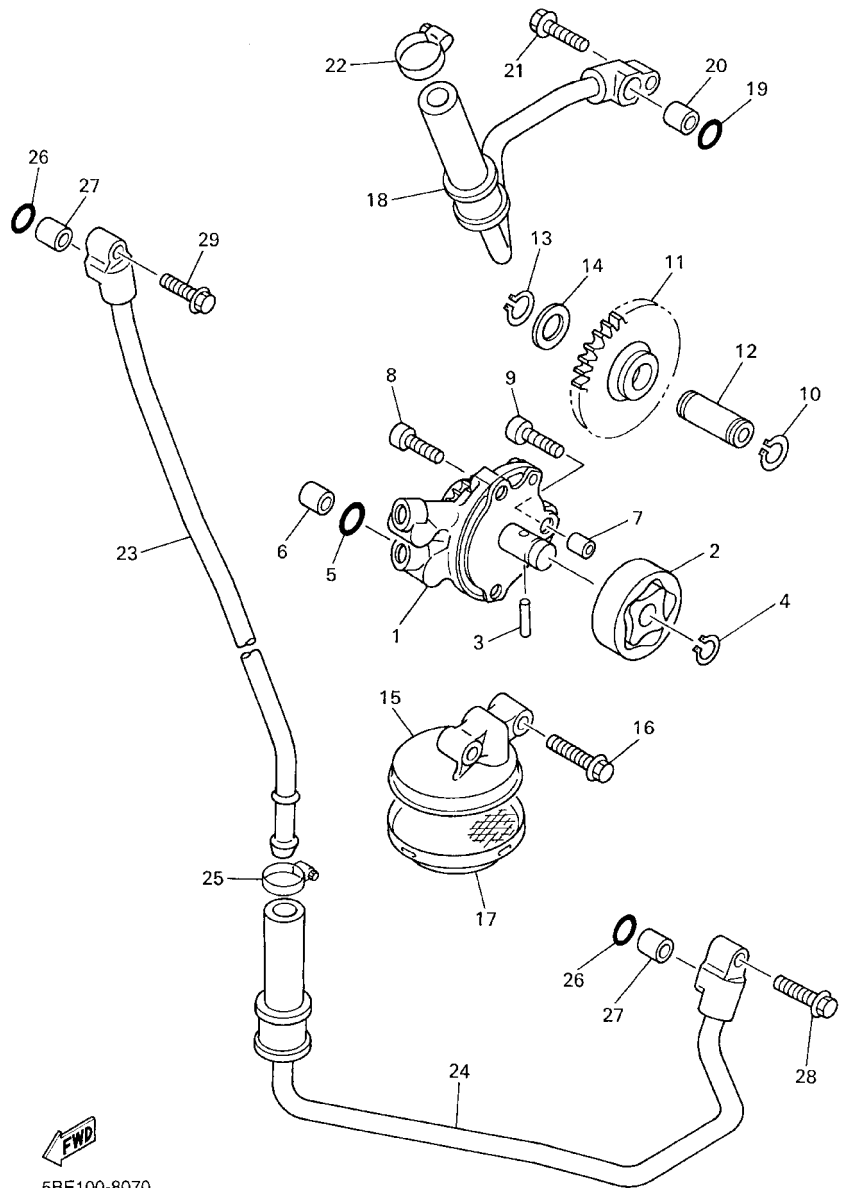
5BE100-8050

FIG. 6 RADIATOR. HOSE



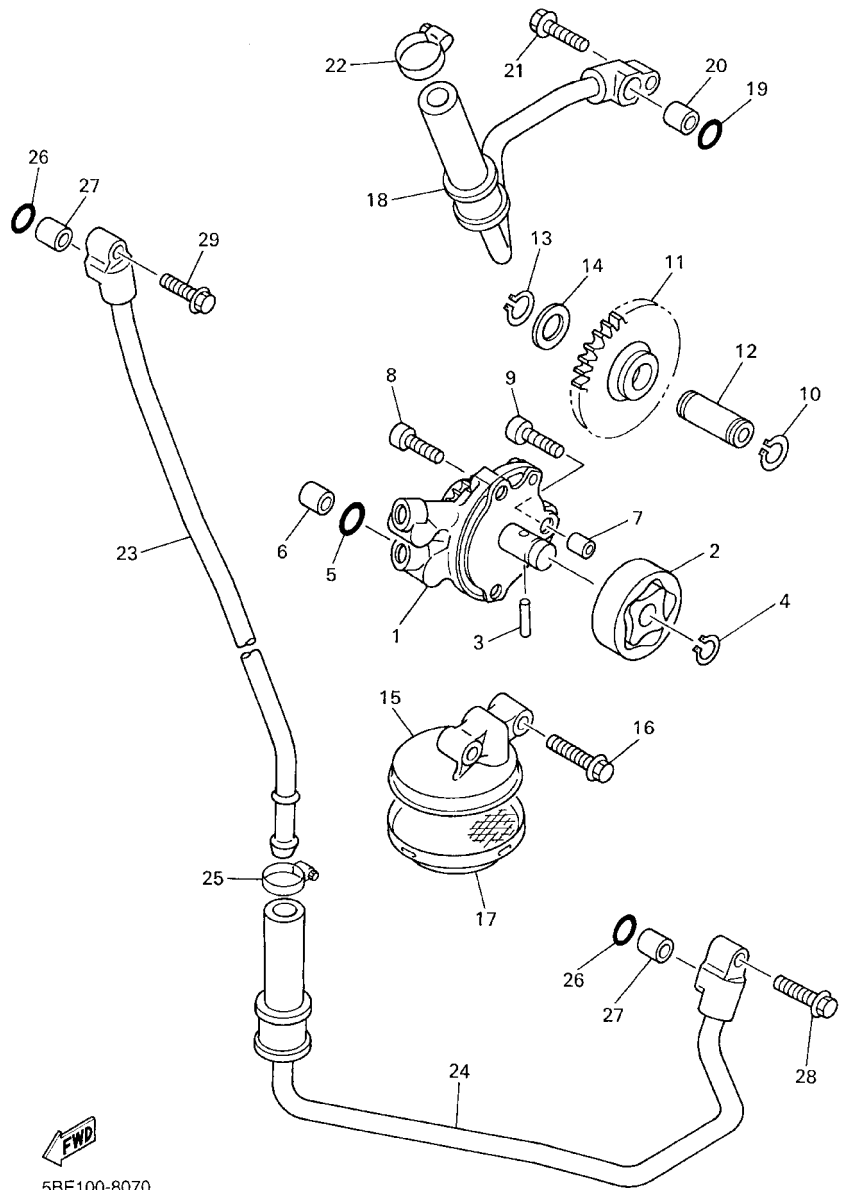
REF. NO.	PART NO.	DESCRIPTION	5NG1	5NG2	5NG4	5GS9	REMARKS
1	5JG-1240A-00	RADIATOR ASSY	1	1	1	1	
2	5JG-12461-00	RADIATOR ASSY	1	1	1	1	
3	5HD-12462-00	CAP, RADIATOR	1	1	1	1	
4	3GD-24181-00	DAMPER, LOCATING 1	1		1		FOR CAN
5	5BE-12481-10	PIPE 1	1	1	1	1	
6	95027-06012	BOLT, FLANGE	1	1	1	1	
7	93210-16500	O-RING	1	1	1	1	
8	5BE-12576-00	HOSE 1	1	1	1	1	
9	5BE-12577-01	HOSE 2	1	1	1	1	
10	5BE-12578-00	HOSE 3	1	1	1	1	
11	5BE-12579-02	HOSE 4	1	1	1	1	
12	5BE-12482-00	PIPE 2	1	1	1	1	
13	95027-06012	BOLT, FLANGE	1	1	1	1	
14	93210-16500	O-RING	1	1	1	1	
15	90450-28014	HOSE CLAMP ASSY	3	3	3	3	
16	90450-25037	HOSE CLAMP ASSY	5	5	5	5	
17	90480-15528	GROMMET	6	6	6	6	
18	90387-06004	COLLAR	6		6		UR FOR CAN
	90387-0614M	COLLAR		6	6	6	UR FOR OCE,ZAF
19	95027-06030	BOLT, FLANGE	6		6		UR FOR CAN
	95027-06025	BOLT, FLANGE		6	6	6	UR FOR OCE,ZAF
20	90201-06071	WASHER, PLATE	6	6	6	6	
21	95827-06010	BOLT, FLANGE	2	2	2	2	

FIG. 7 OIL PUMP



5BE100-8070

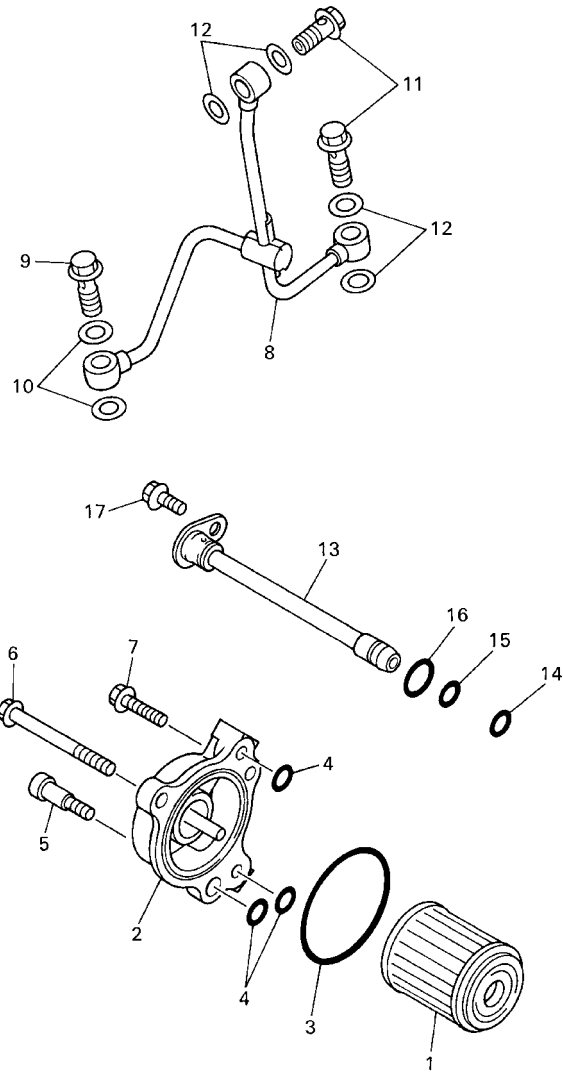
REF. NO.	PART NO.	DESCRIPTION	5NG1	5NG2	5NG4	5GS9	REMARKS
1	5BE-13300-10	OIL PUMP ASSY	1	1	1	1	
2	1HX-13310-10	ROTOR ASSY 1	1	1	1	1	
3	93603-17070	PIN, DOWEL	1	1	1	1	
4	93440-10085	CIRCLIP	1	1	1	1	
5	93210-10197	O-RING	1	1	1	1	
6	99530-10114	PIN, DOWEL	1	1	1	1	
7	99530-08012	PIN, DOWEL	1	1	1	1	
8	91317-06025	BOLT	2	2	2	2	
9	91314-06030	BOLT	1	1	1	1	
10	99001-08600	CIRCLIP	1	1	1	1	
11	5BE-13341-00	GEAR, OIL PUMP IDLE	1	1	1	1	
12	5BE-13342-00	SHAFT, IDLE GEAR	1	1	1	1	
13	99009-12400	CIRCLIP	1	1	1	1	
14	90201-12166	WASHER, PLATE	1	1	1	1	
15	5BE-13412-00	HOUSING, STRAINER	1	1	1	1	
16	95027-06025	BOLT, FLANGE	2	2	2	2	
17	5BE-13411-00	STRAINER, OIL	1	1	1	1	
18	5BE-13464-10	HOSE, OIL 1	1	1	1	1	
19	93210-10197	O-RING	1	1	1	1	
20	99530-10114	PIN, DOWEL	1	1	1	1	
21	95027-06025	BOLT, FLANGE	1	1	1	1	
22	90450-22017	HOSE CLAMP ASSY	1	1	1	1	
23	5BE-13416-00	PIPE, OIL 1	1	1	1	1	
24	5BE-13465-10	HOSE, OIL 2	1	1	1	1	
25	90450-22017	HOSE CLAMP ASSY	1	1	1	1	
26	93210-10197	O-RING	2	2	2	2	
27	99530-10114	PIN, DOWEL	2	2	2	2	



5BE100-8070

FIG. 7 OIL PUMP

REF. NO.	PART NO.	DESCRIPTION	5NG1	5NG2	5NG4	5GS9	REMARKS
28	95027-06025	BOLT, FLANGE	1	1	1	1	
29	95024-06020	BOLT, FLANGE	1	1	1	1	

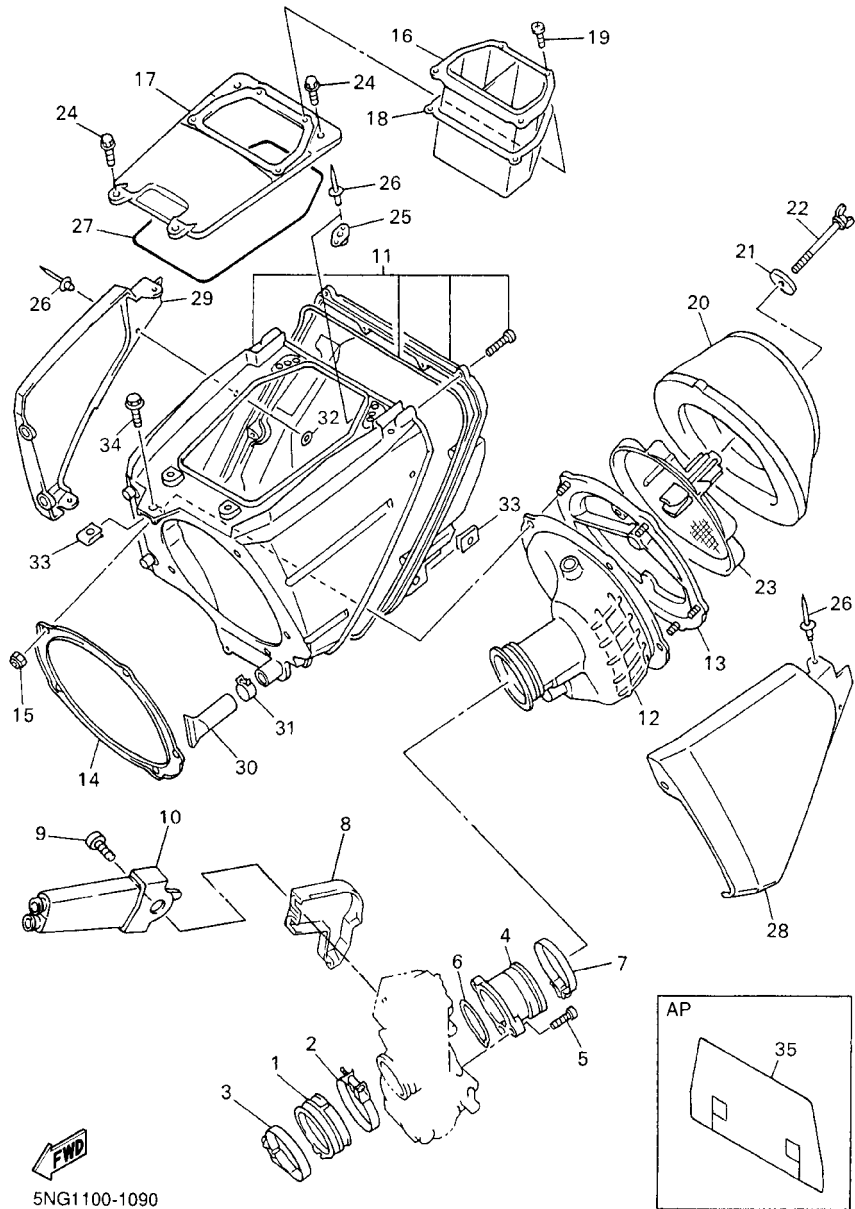


FWD
5BE100-8080

FIG. 8 OIL CLEANER

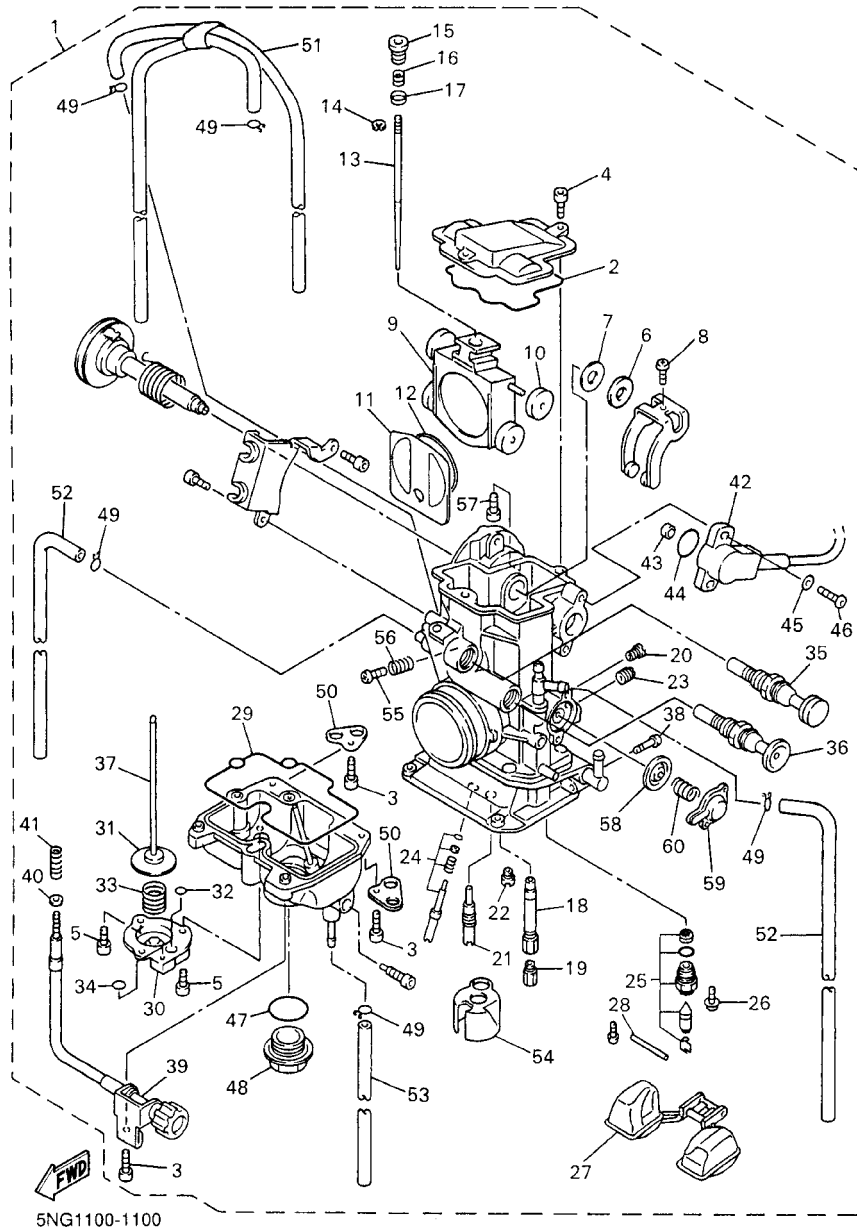
REF. NO.	PART NO.	DESCRIPTION	5NG1	5NG2	5NG4	5GS9	REMARKS
1	1UY-13440-02	ELEMENT ASSY, OIL CLEANER	1	1	1	1	
2	5BE-13447-00	COVER, OIL ELEMENT	1	1	1	1	
3	93210-47675	O-RING	1	1	1	1	
4	93210-07135	O-RING	3	3	3	3	
5	90109-065G2	BOLT	1	1	1	1	
6	95027-06065	BOLT, FLANGE	1	1	1	1	
7	95027-06020	BOLT, FLANGE	1	1	1	1	
8	5BE-13161-01	PIPE, DELIVERY 1	1	1	1	1	
9	90401-10159	BOLT, UNION	1	1	1	1	
10	90430-10188	GASKET	2	2	2	2	
11	90401-08038	BOLT, UNION	2	2	2	2	
12	90430-08119	GASKET	4	4	4	4	
13	5BE-13171-01	PIPE, DELIVERY 2	1	1	1	1	
14	93210-07003	O-RING	1	1	1	1	
15	93210-09008	O-RING	1	1	1	1	
16	93210-12759	O-RING	1	1	1	1	
17	95027-06012	BOLT, FLANGE	1	1	1	1	

FIG. 9 INTAKE



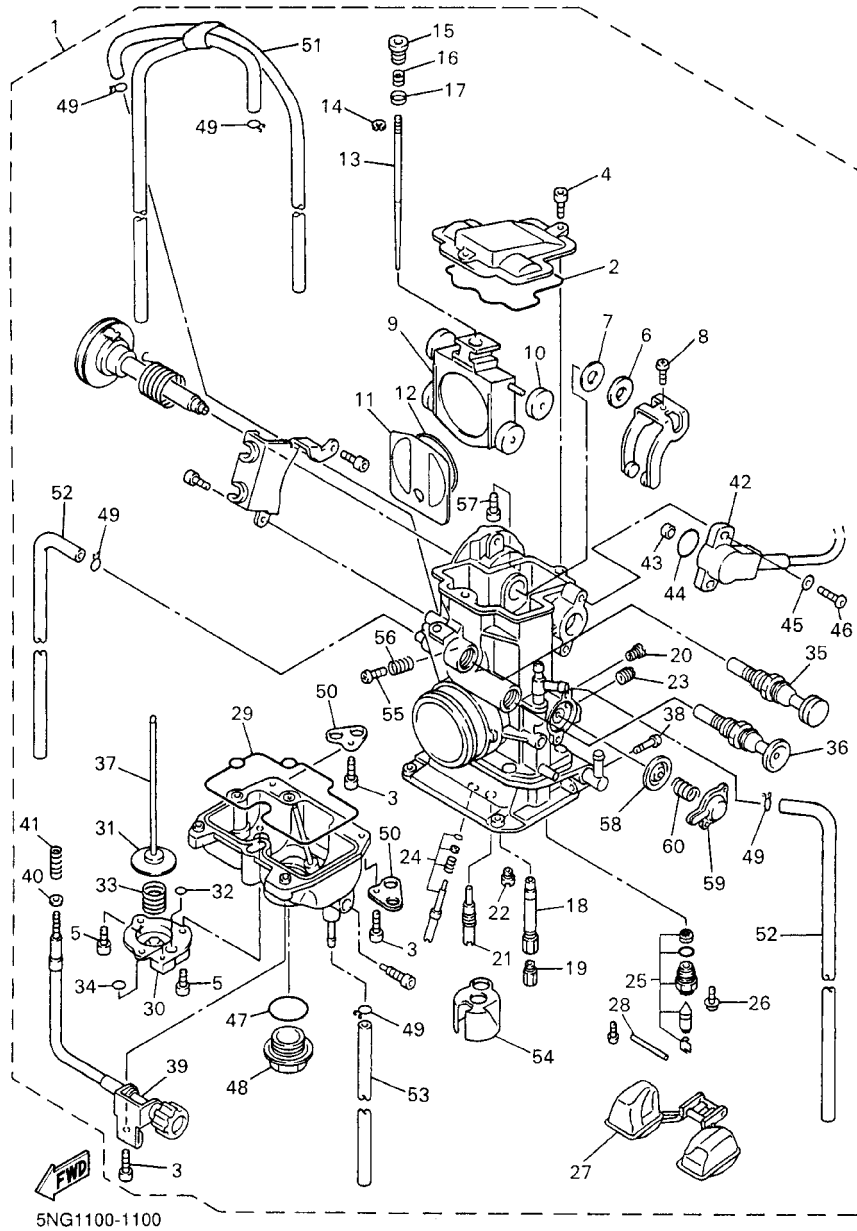
REF. NO.	PART NO.	DESCRIPTION	5NG1	5NG2	5NG4	5GS9	REMARKS
1	5JG-13597-00	JOINT, CARBURETOR 3	1	1	1	1	
2	90450-57092	HOSE CLAMP ASSY	1	1	1	1	
3	90450-59091	HOSE CLAMP ASSY	1	1	1	1	
4	5JG-1440F-01	JOINT, AIR FILTER 1	1	1	1	1	
5	91317-05014	BOLT	2	2	2	2	
6	4FN-14561-00	O-RING	1	1	1	1	
7	90450-61001	HOSE CLAMP ASSY	1	1	1	1	
8	5JG-14293-01	COVER 1	1	1	1	1	
9	5JG-14428-00	BOLT	1	1	1	1	
10	5NG-14169-00	CAP	1	1	1	1	
11	5JG-14401-00	AIR CLEANER CASE ASSY	1	1	1	1	
12	5JG-14453-00	JOINT, AIR CLEANER 1	1	1	1	1	
13	3JD-14459-01	HOLDER, GUIDE	1	1	1	1	
14	5MV-14477-00	PLATE	1	1	1	1	
15	95607-05100	NUT, U	5	5	5	5	
16	5BF-14437-00	DUCT	1	1	1	1	
17	5BF-1441A-10	COVER, CLEANER CASE 1	1	1	1	1	
18	5BF-14452-00	SEAL	1	1	1	1	
19	97707-50012	SCREW, TAPPING	4	4	4	4	
20	4XM-14451-00	ELEMENT, AIR CLEANER	1	1	1	1	
21	90209-06096	WASHER	1	1	1	1	
22	90122-06035	BOLT, WING	1	1	1	1	
23	5BE-14458-00	GUIDE	1	1	1	1	
24	90146-06014	SCREW, OVAL FILLISTER	4	4	4	4	
25	5BF-14493-00	STAY 1	2	2	2	2	
26	90267-32070	RIVET, BLIND	9	9	9	9	
27	5BF-14457-00	SEAL	1	1	1	1	

FIG. 10 CARBURETOR



REF. NO.	PART NO.	DESCRIPTION	5NG1	5NG2	5NG4	5GS9	REMARKS
1	5NG-14101-00	CARBURETOR ASSY 1	1				
	5NG-14101-10	CARBURETOR ASSY 1		1	1		
	5GS-14101-61	CARBURETOR ASSY 1				1	
2	5JG-14959-00	.GASKET	1	1	1	1	
3	91316-04012	.BOLT	4	4	4	4	
4	91316-04012	.BOLT	2	2	2	2	
5	91316-04008	.BOLT	3	3	3	3	
6	90202-08045	.WASHER, PLATE	1	1	1	1	
7	5JG-14951-00	.WASHER	1	1	1	1	
8	5JG-14522-00	.SCREW, ADJUST	1	1	1	1	
9	5JG-14388-00	.VALVE, VACUUM CONTROL	1	1	1	1	
10	3TJ-14267-40	.ROLLER	1	1	1	1	
11	5JG-14546-01	.VALVE, NEEDLE	1	1	1	1	
12	4FN-14997-00	.SEAL	1	1	1	1	
13	5GS-14916-RR	.NEEDLE (#DRR)	1				STD
	5GS-14916-1R	.NEEDLE (#DQR)		1	1		STD
	5GS-14916-R1	.NEEDLE (#DRQ)				1	STD
	5GS-14916-RU	.NEEDLE (#DRU)	1				AP
	5GS-14916-R1	.NEEDLE (#DRQ)	1				AP
	5GS-14916-RN	.NEEDLE (#DRN)	1			1	AP
	5GS-14916-RP	.NEEDLE (#DRP)	1			1	AP
	5GS-14916-RS	.NEEDLE (#DRS)	1			1	AP
	5GS-14916-RT	.NEEDLE (#DRT)	1			1	AP
	5GS-14916-1U	.NEEDLE (#DQU)		1	1		AP
	5GS-14916-1N	.NEEDLE (#DQN)		1	1		AP
	5GS-14916-1P	.NEEDLE (#DQP)		1	1		AP
	5GS-14916-11	.NEEDLE (#DQQ)		1	1		AP

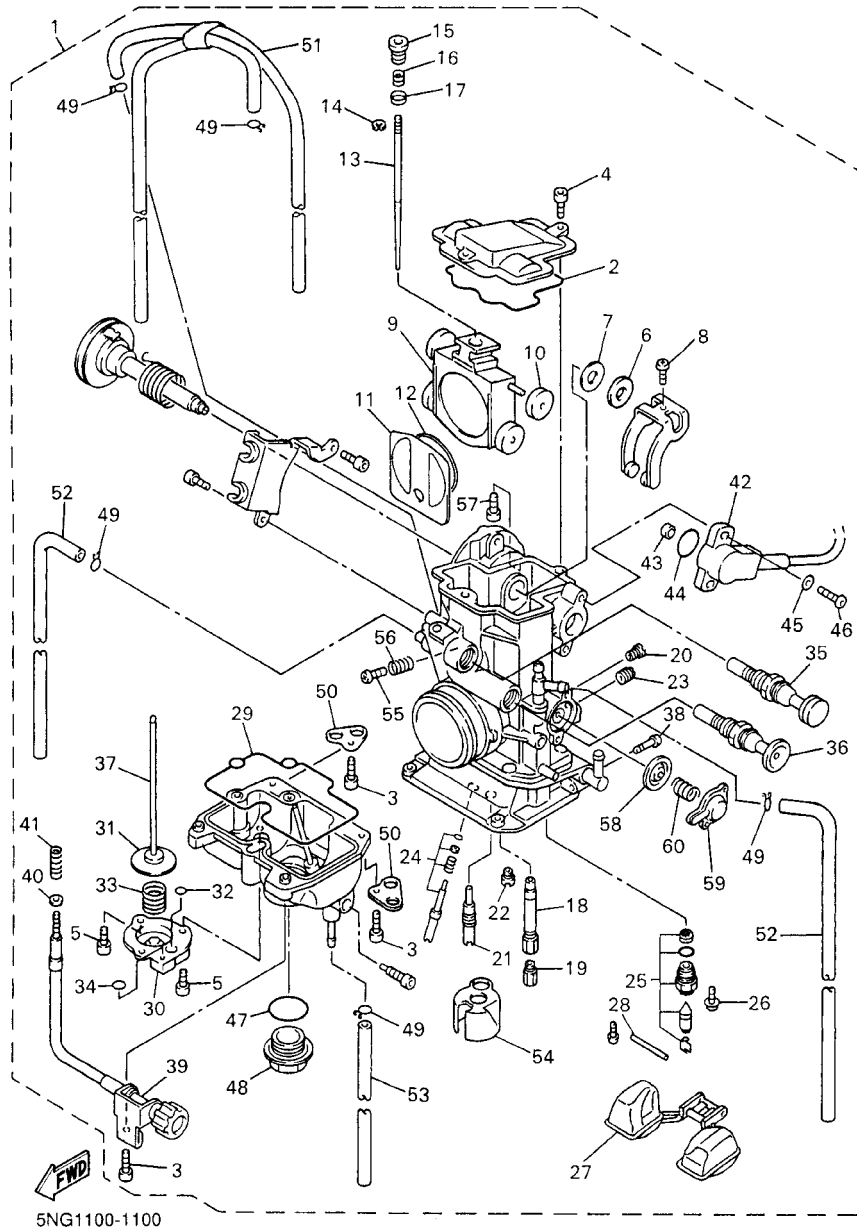
FIG. 10 CARBURETOR



5NG1100-1100

REF. NO.	PART NO.	DESCRIPTION	5NG1	5NG2	5NG4	5GS9	REMARKS
13	5GS-14916-1S	.NEEDLE (#DQS)		1	1		AP
	5GS-14916-1T	.NEEDLE (#DQT)		1	1		AP
	5GS-14916-RM	.NEEDLE (#DRM)				1	AP
	5GS-14916-RR	.NEEDLE (#DRR)				1	AP
14	3TJ-14159-40	.CLIP	1	1	1	1	
15	5JG-14521-00	.SCREW, ADJUST	1	1	1	1	
16	5JG-14275-00	.SPRING	1	1	1	1	
17	5JG-14264-00	.COLLAR	1	1	1	1	
18	5JG-14947-00	.NOZZLE, MAIN	1	1	1	1	
19	4MX-14943-40	.JET, MAIN (#165)	1	1	1	1	STD
	4MX-14943-38	.JET, MAIN (#155)	1	1	1	1	AP
	4MX-14943-89	.JET, MAIN (#158)	1	1	1	1	AP
	4MX-14943-39	.JET, MAIN (#160)	1	1	1	1	AP
	4MX-14943-90	.JET, MAIN (#162)	1	1	1	1	AP
	4MX-14943-91	.JET, MAIN (#168)	1	1	1	1	AP
	4MX-14943-41	.JET, MAIN (#170)	1	1	1	1	AP
	4MX-14943-92	.JET, MAIN (#172)	1	1	1	1	AP
	4MX-14943-42	.JET, MAIN (#175)	1	1	1	1	AP
	4MX-14943-93	.JET, MAIN (#178)	1	1	1	1	AP
20	3TJ-14943-47	.JET (#200)	1	1	1	1	
21	4MX-14948-04	.JET, SLOW (#42)	1	1	1	1	STD
	4MX-14948-02	.JET, SLOW (#38)	1	1	1	1	AP
	4MX-14948-03	.JET, SLOW (#40)	1	1	1	1	AP
	4MX-14948-05	.JET, SLOW (#45)	1	1	1	1	AP
	4MX-14948-06	.JET, SLOW (#48)	1	1	1	1	AP
22	3TJ-1494F-13	.JET (#65)	1	1	1	1	STD
	3TJ-1494F-10	.JET (#58)	1	1	1	1	AP

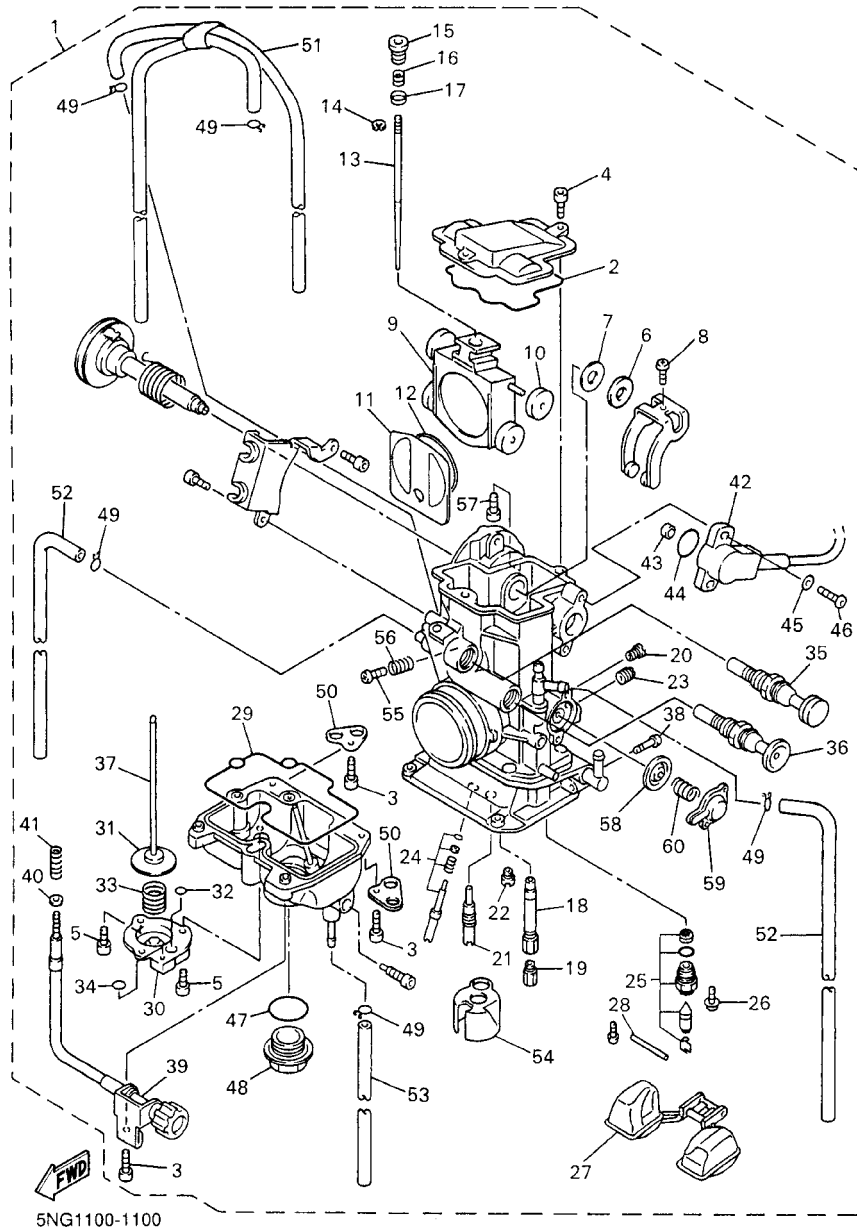
FIG. 10 CARBURETOR



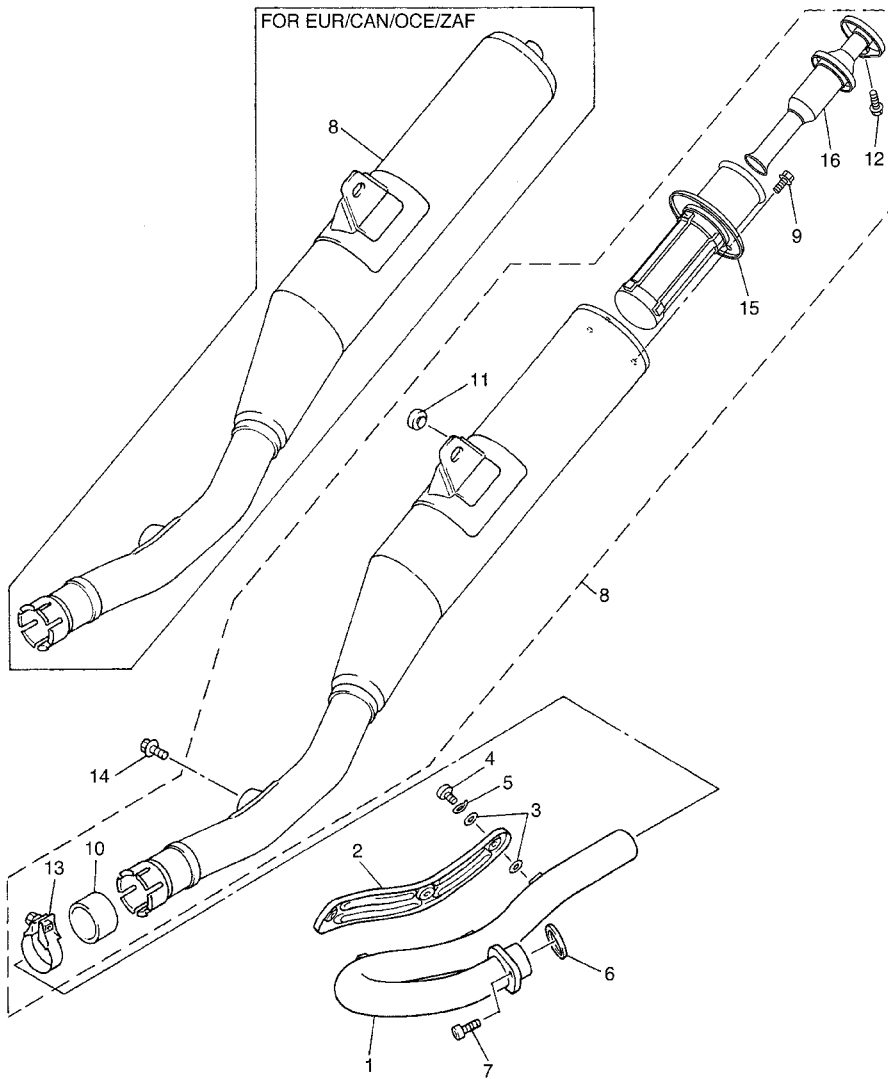
5NG1100-1100

REF. NO.	PART NO.	DESCRIPTION	5NG1	5NG2	5NG4	5GS9	REMARKS
22	3TJ-1494F-11	.JET (#60)	1	1	1	1	AP
	3TJ-1494F-12	.JET (#62)	1	1	1	1	AP
	3TJ-1494F-14	.JET (#68)	1	1	1	1	AP
	3TJ-1494F-15	.JET (#70)	1	1	1	1	AP
23	7A9-14943-17	.JET (#75)	1	1	1	1	STD
	7A9-14943-11	.JET (#60)	1	1	1	1	AP
24	3TJ-14105-40	.PILOT SCREW SET	1	1	1	1	
25	5BE-14107-00	.NEEDLE VALVE SET	1	1	1	1	
26	5BE-14216-00	.SCREW	1	1	1	1	
27	4SR-14985-00	.FLOAT	1	1	1	1	
28	676-14548-00	.PIN, FLOAT ARM	1	1	1	1	
29	5JG-14984-00	.GASKET, FLOAT CHAMBER	1	1	1	1	
30	3TJ-14293-40	.COVER 1	1	1	1	1	
31	5JG-14940-18	.DIAPHRAGM ASSY	1	1	1	1	STD
	5JG-14940-17	.DIAPHRAGM ASSY	1	1	1	1	AP
	5JG-14940-19	.DIAPHRAGM ASSY	1	1	1	1	AP
32	3TJ-14536-40	.GASKET	2	2	2	2	
33	5GS-14933-40	.SPRING, DIAPHRAGM	1	1	1	1	
34	6H4-14561-00	.O-RING	1	1	1	1	
35	5JG-14171-00	.PLUNGER, STARTER	1	1	1	1	
36	5JG-14371-00	.PLUNGER, STARTER	1	1	1	1	
37	5JG-14379-00	.ROD, STARTER	1	1	1	1	
38	3TJ-14325-40	.SCREW, PAN HEAD	1	1	1	1	
39	5JG-14922-00	.SCREW, THROTTLE	1	1	1	1	
40	90201-08410	.WASHER, PLATE	1	1	1	1	
41	4FN-14934-00	.SPRING, THROTTLE STOP	1	1	1	1	
42	5JG-85885-00	.THROTTLE SENSOR ASSY	1	1	1	1	

FIG. 10 CARBURETOR



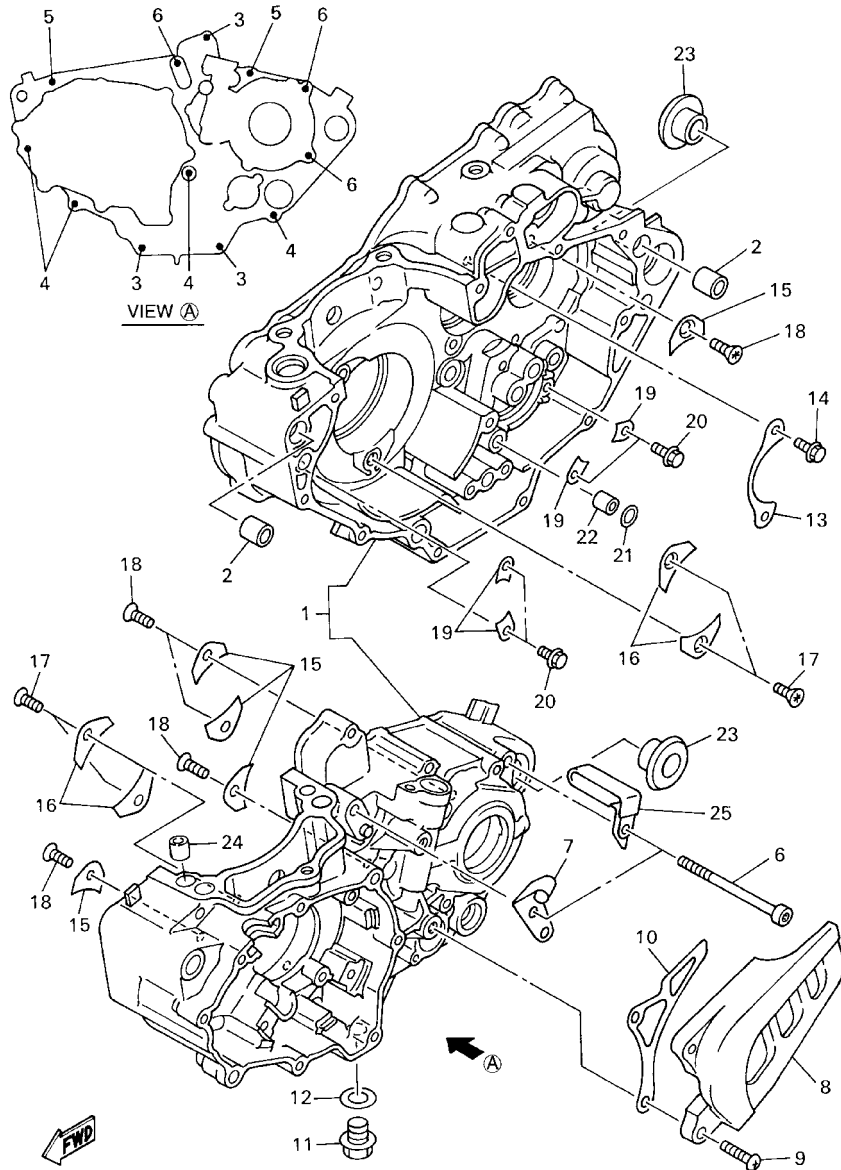
REF. NO.	PART NO.	DESCRIPTION	5NG1	5NG2	5NG4	5GS9	REMARKS
43	5BE-14449-00	.COLLAR	1	1	1	1	
44	5BE-14562-00	.O-RING	1	1	1	1	
45	4YR-14557-00	.WASHER	2	2	2	2	
46	4YR-14216-00	.SCREW	2	2	2	2	
47	4MX-14561-00	.O-RING	1	1	1	1	
48	4MX-14115-00	.PLUG, SCREW	1	1	1	1	
49	3TJ-14137-40	.CLIP	5	5	5	5	
50	5BE-14146-00	.PLATE	2	2	2	2	
51	5JG-14196-00	.PIPE	1	1	1	1	
52	5JG-14197-00	.PIPE	2	2	2	2	
53	5JG-14987-00	.HOSE	1	1	1	1	
54	5JG-14346-00	.PLATE	1	1	1	1	
55	5JG-14565-00	.SCREW	1	1	1	1	
56	5JG-14531-00	.SPRING, ADJUST SCREW	1	1	1	1	
57	5GS-14591-00	.SCREW	1			1	
	5JG-14591-00	.SCREW		1	1		
58	5GS-14940-00	.DIAPHRAGM ASSY	1	1	1	1	
59	5GS-14958-00	.COVER, DIAPHRAGM	1	1	1	1	
60	5GS-14933-00	.SPRING, DIAPHRAGM	1	1	1	1	



5NG110011101

FIG. 11 EXHAUST

REF. NO.	PART NO.	DESCRIPTION	5NG1	5NG2	5NG4	5GS9	REMARKS
1	5JG-14611-00	PIPE, EXHAUST 1	1	1	1		
	5BE-14611-00	PIPE, EXHAUST 1				1	
2	5JG-14628-00	PROTECTOR, EXHAUST PIPE	1	1	1		
	5BE-14628-00	PROTECTOR, EXHAUST PIPE				1	
3	4BD-14766-00	WASHER, PROTECTOR	6	6	6	6	
4	98980-06008	SCREW, BIND	3	3	3	3	
5	90206-06090	WASHER, WAVE	3	3	3	3	
6	3VD-14613-00	GASKET, EXHAUST PIPE	1	1	1	1	
7	91317-08020	BOLT	1	1	1	1	
8	5NG-14710-00	MUFFLER ASSY 1	1				
	5NG-14710-10	MUFFLER ASSY 1		1	1	1	
9	95804-06010	BOLT, FLANGE	3				
10	3GW-14714-00	GASKET, MUFFLER	1	1	1	1	
11	22W-24181-00	DAMPER, LOCATING 1	1	1	1	1	
12	95804-06016	BOLT, FLANGE	1				
13	5BE-14788-00	BAND, SILENCER	1	1	1	1	
14	95817-08014	BOLT, FLANGE	2	2	2	2	
15	5BF-14786-00	ARRESTER, SPARK	1				
16	5BF-14752-00	PIPE	1				

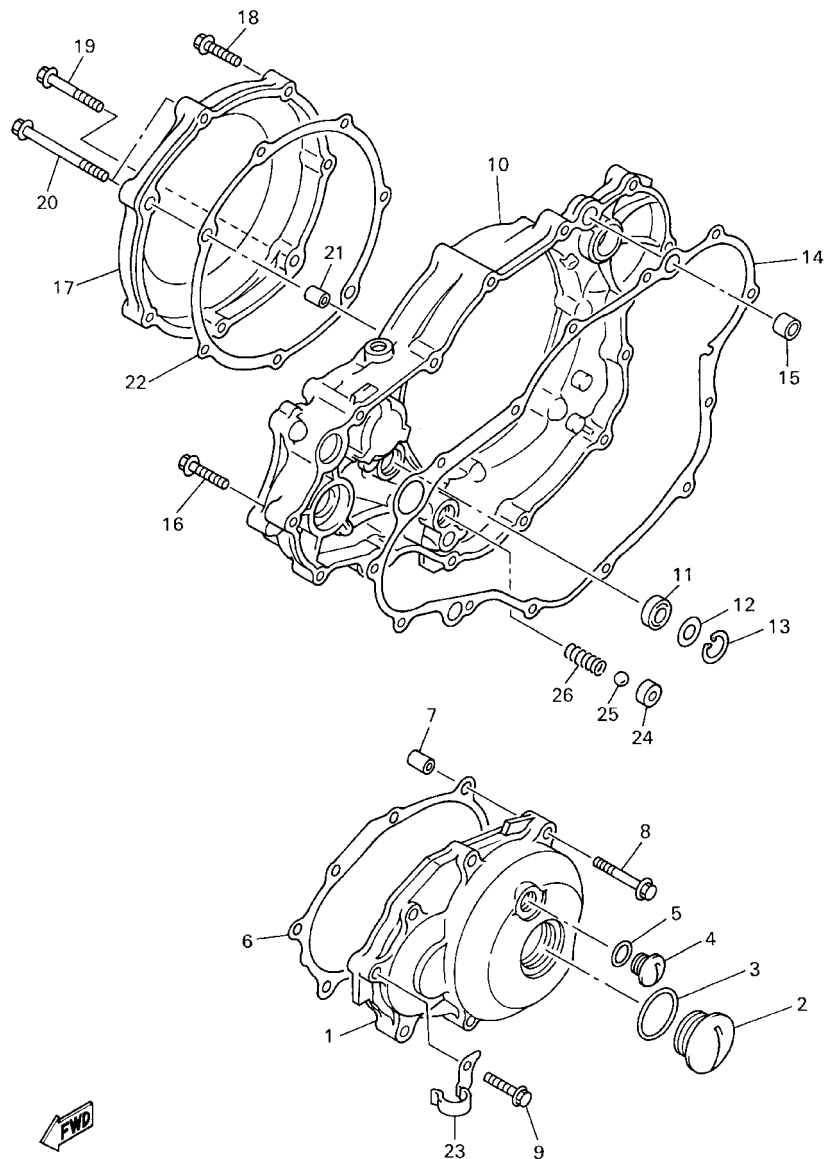


5BE100-8120

FIG. 12 CRANKCASE

REF. NO.	PART NO.	DESCRIPTION	5NG1	5NG2	5NG4	5GS9	REMARKS
1	5BE-15150-03	CRANKCASE ASSY	1	1	1	1	
2	99530-14016	PIN, DOWEL	2	2	2	2	
3	91317-06040	BOLT	3	3	3	3	
4	91317-06050	BOLT	4	4	4	4	
5	91317-06060	BOLT	2	2	2	2	
6	91317-06075	BOLT	3	3	3	3	
7	5JG-15441-01	HOLDER, CLUTCH CABLE	1	1	1		
	5BE-15441-00	HOLDER, CLUTCH CABLE				1	
8	5BE-15421-00	COVER, CRANKCASE 2	1	1	1	1	
9	98507-06025	SCREW, PAN HEAD	2	2	2	2	
10	5BE-17466-10	GUIDE, CHAIN	1	1	1	1	
11	90340-12059	PLUG, STRAIGHT SCREW	1	1	1	1	
12	90430-12213	GASKET	1	1	1	1	
13	4L0-17471-00	PLATE, COVER	1	1	1	1	
14	90105-06553	BOLT, WASHER BASED	2	2	2	2	
15	4JT-15381-01	PLATE, BEARING COVER	5	5	5	5	
16	5BE-15383-01	PLATE, BEARING COVER	4	4	4	4	
17	90149-06126	SCREW	4	4	4	4	
18	90149-06326	SCREW	5	5	5	5	
19	5DH-18562-00	PLATE, STOPPER 2	4	4	4	4	
20	90105-06553	BOLT, WASHER BASED	4	4	4	4	
21	93210-10197	O-RING	1	1	1	1	
22	99530-10114	PIN, DOWEL	1	1	1	1	
23	90387-1712Y	COLLAR	2	2	2	2	
24	99530-10116	PIN, DOWEL	2	2	2	2	
25	90461-10136	CLAMP	1	1	1	1	

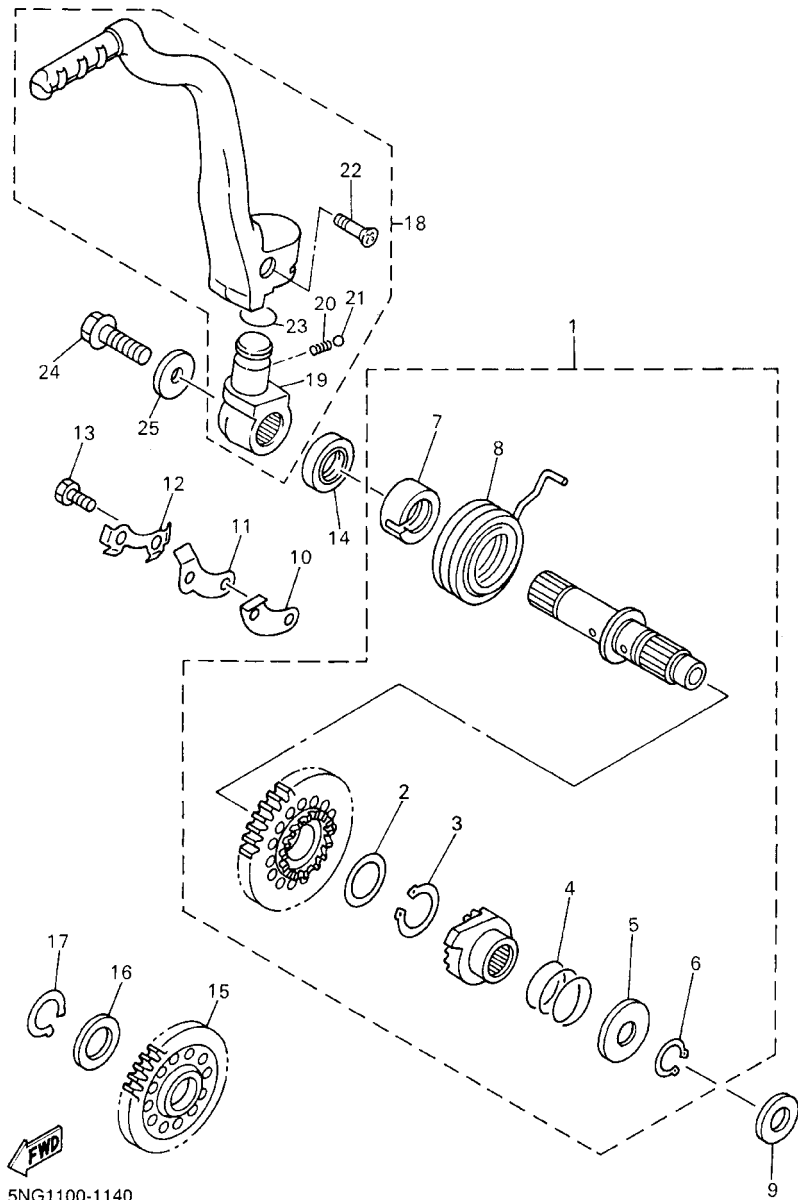
FIG. 13 CRANKCASE COVER 1



5BE100-8130

REF. NO.	PART NO.	DESCRIPTION	5NG1	5NG2	5NG4	5GS9	REMARKS
1	5BE-15411-00	COVER, CRANKCASE 1	1	1	1	1	
2	90340-32123	PLUG, STRAIGHT SCREW	1	1	1	1	
3	93210-32172	O-RING	1	1	1	1	
4	90340-14128	PLUG, STRAIGHT SCREW	1	1	1	1	
5	93210-14369	O-RING	1	1	1	1	
6	5BE-15451-00	GASKET, CRANKCASE COVER 1	1	1	1	1	
7	99530-08016	PIN, DOWEL	2	2	2	2	
8	95027-06040	BOLT, FLANGE	2	2	2	2	
9	95027-06030	BOLT, FLANGE	6	6	6	6	
10	5JG-15431-00	COVER, CRANKCASE 3	1	1	1	1	
11	93101-14164	OIL SEAL	1	1	1	1	
12	90201-15701	WASHER, PLATE (1.0T)	1	1	1	1	
13	99009-22500	CIRCLIP	1	1	1	1	
14	5BE-15462-00	GASKET, CRANKCASE COVER 3	1	1	1	1	
15	91812-16001	PIN, DOWEL	2	2	2	2	
16	95027-06030	BOLT, FLANGE	10	10	10	10	
17	5JG-15415-00	COVER, GENERATOR	1	1	1	1	
18	95027-06030	BOLT, FLANGE	4	4	4	4	
19	95027-06040	BOLT, FLANGE	1	1	1	1	
20	90105-065A1	BOLT, WASHER BASED	2	2	2	2	
21	99530-08016	PIN, DOWEL	2	2	2	2	
22	5JG-15453-00	GASKET, CARBURETOR COVER	1	1	1	1	
23	90462-10241	CLAMP	1	1	1	1	
24	583-13113-00	SEAT, CHECK BALL	1	1	1	1	
25	93503-08007	BALL	1	1	1	1	
26	90501-043E0	SPRING, COMPRESSION	1	1	1	1	

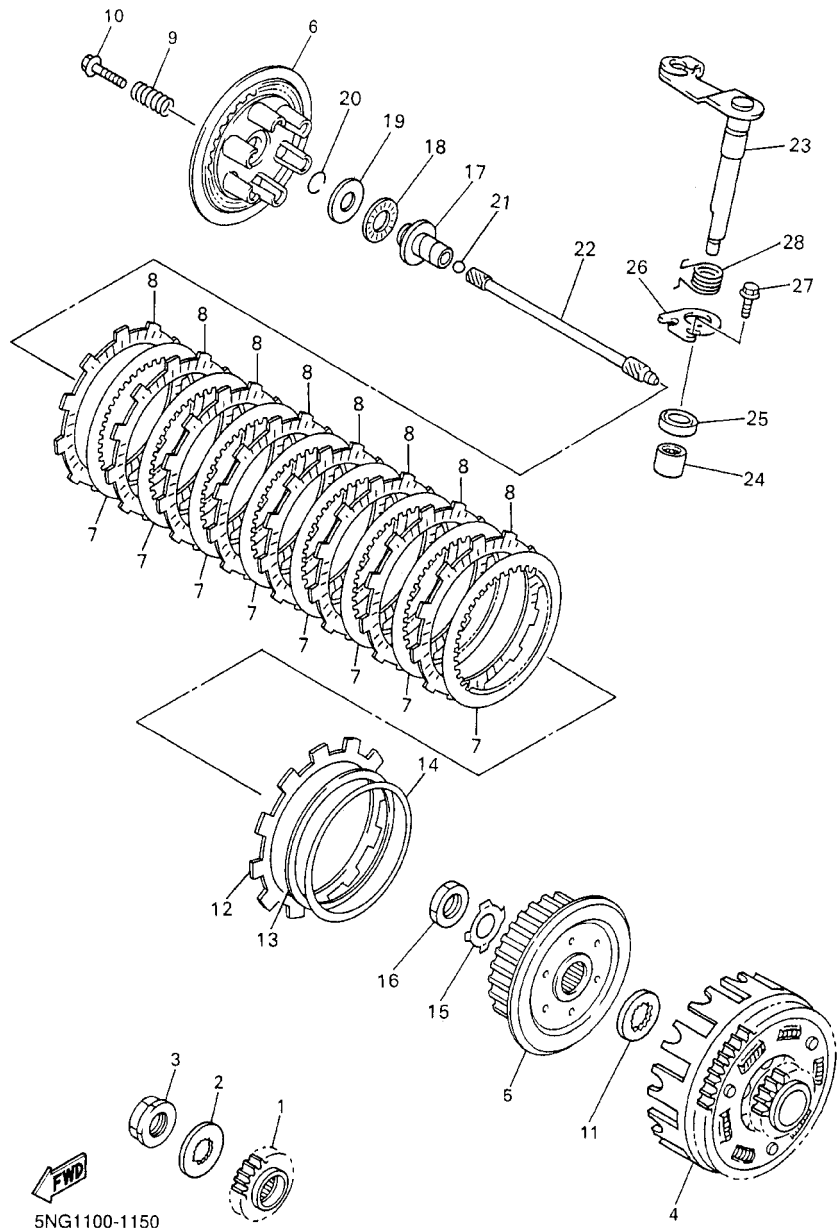
FIG. 14 STARTER



5NG1100-1140

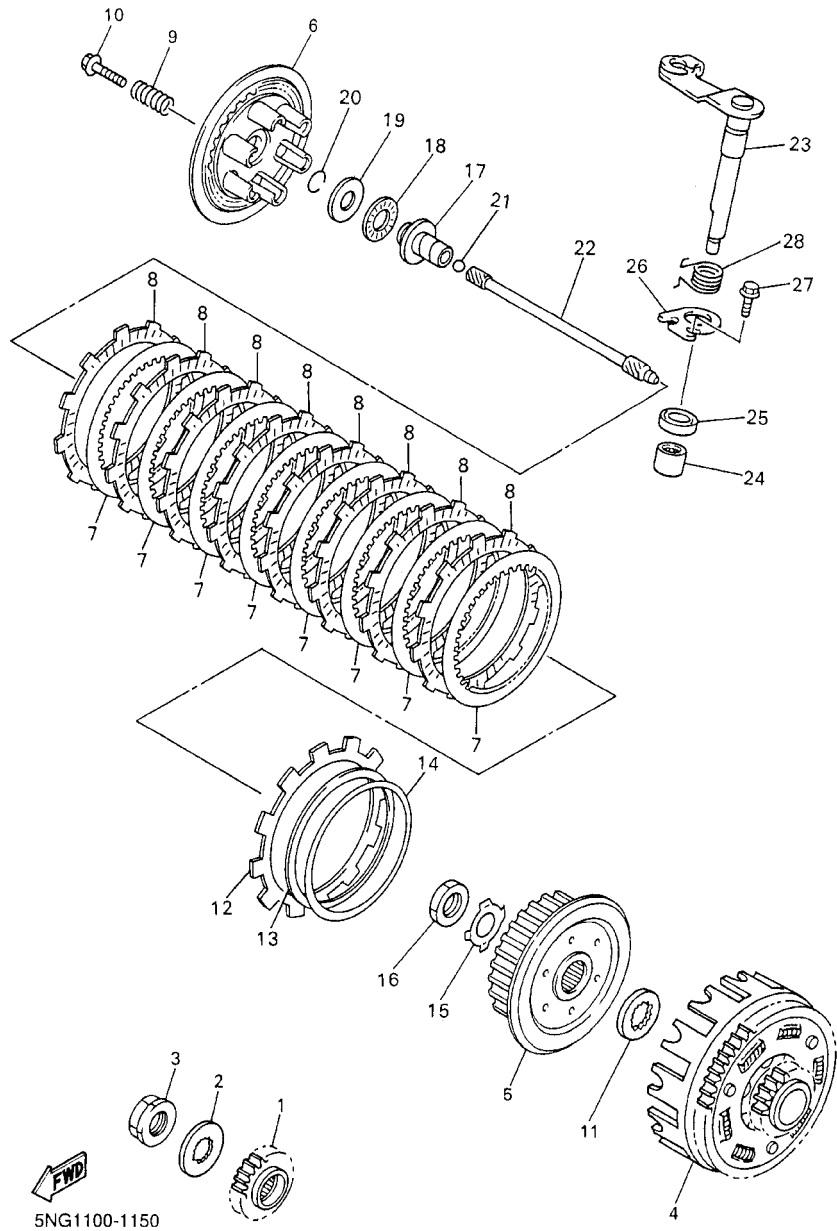
REF. NO.	PART NO.	DESCRIPTION	5NG1	5NG2	5NG4	5GS9	REMARKS
1	5GR-15601-00	KICK SHAFT ASSY	1	1	1	1	
2	90201-20685	.WASHER, PLATE (0.5T)	1	1	1	1	
3	93410-20038	.CIRCLIP	1	1	1	1	
4	90501-16107	.SPRING, COMPRESSION	1	1	1	1	
5	90201-167P7	.WASHER, PLATE	1	1	1	1	
6	99009-16400	.CIRCLIP	1	1	1	1	
7	5GR-15664-00	.GUIDE, SPRING	1	1	1	1	
8	90508-30743	.SPRING, TORSION	1	1	1	1	
9	90201-162H4	WASHER, PLATE	1	1	1	1	
10	5BE-15668-00	STOPPER	1	1	1	1	
11	5BE-15674-00	GUIDE, RATCHET WHEEL	1	1	1	1	
12	5BE-15686-01	WASHER, LOCK	1	1	1	1	
13	90101-06001	BOLT	2	2	2	2	
14	93102-20108	OIL SEAL	1	1	1	1	
15	5BE-15651-00	GEAR, KICK IDLE	1	1	1	1	
16	90201-20276	WASHER, PLATE (1.0T)	1	1	1	1	
17	99009-20400	CIRCLIP	1	1	1	1	
18	5BE-15620-02	KICK CRANK ASSY	1	1	1	1	
19	3SP-15621-02	.BOSS, KICK CRANK	1	1	1	1	
20	90501-13720	.SPRING, COMPRESSION	1	1	1	1	
21	93501-04011	.BALL	1	1	1	1	
22	90152-06010	.SCREW, COUNTERSUNK	1	1	1	1	
23	93210-19216	.O-RING	1	1	1	1	
24	90105-08752	BOLT, WASHER BASED	1	1	1	1	
25	90201-087A9	WASHER, PLATE	1	1	1	1	

FIG. 15 CLUTCH



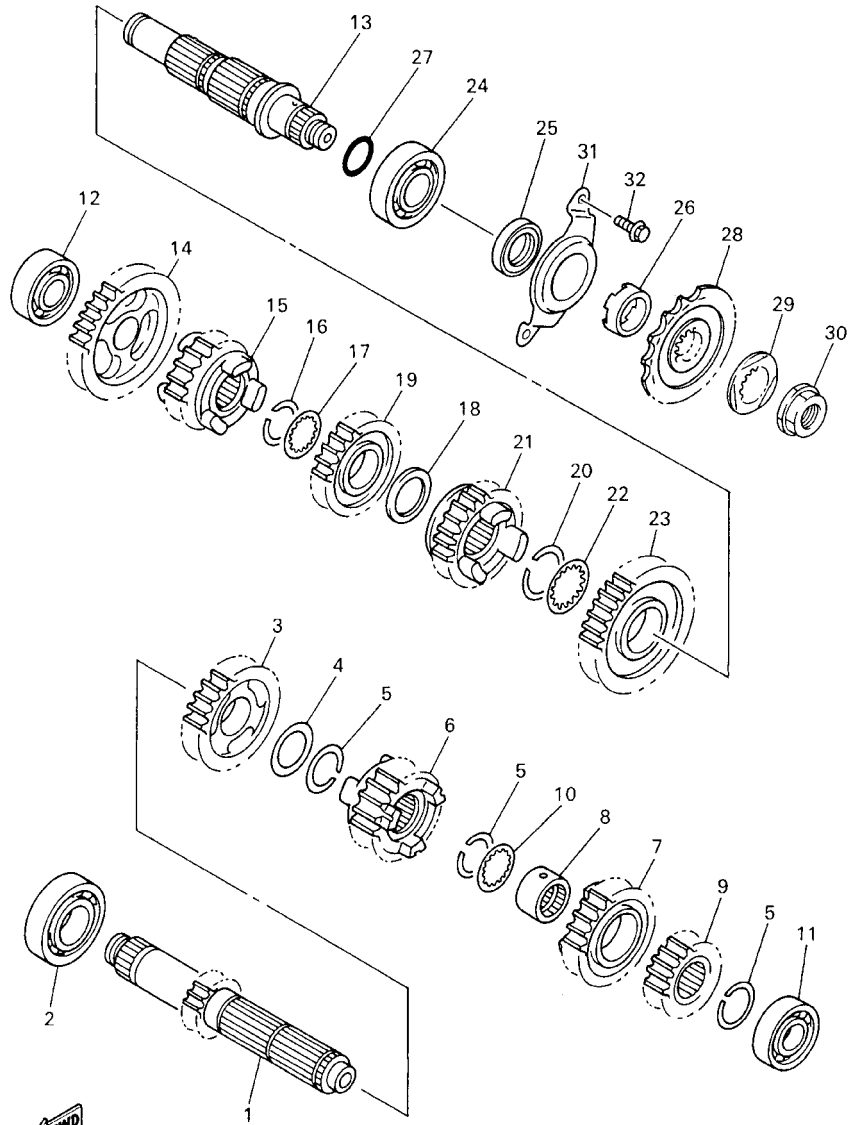
REF. NO.	PART NO.	DESCRIPTION	5NG1	5NG2	5NG4	5GS9	REMARKS
1	5JG-16111-00	GEAR, PRIMARY DRIVE	1	1	1	1	
2	90215-21001	WASHER, LOCK	1	1	1	1	
3	90179-20001	NUT	1	1	1	1	
4	5JG-16150-10	PRIMARY DRIVEN GEAR COMP.	1	1	1		
	5BE-16150-00	PRIMARY DRIVEN GEAR COMP.				1	
5	5JG-16371-10	BOSS, CLUTCH	1	1	1		
	2JN-16371-00	BOSS, CLUTCH				1	
6	5JG-16351-00	PLATE, PRESSURE 1	1	1	1		
	3YF-16351-00	PLATE, PRESSURE 1				1	
7	5JG-16325-00	PLATE, CLUTCH 2	8	8	8		
	360-16325-00	PLATE, CLUTCH 2				7	
8	3XK-16321-00	PLATE, FRICTION	8	8	8		
	5BE-16321-00	PLATE, FRICTION				7	
9	90501-22003	SPRING, COMPRESSION	6	6	6		
	90501-23141	SPRING, COMPRESSION				5	
10	90159-06092	SCREW, WITH WASHER	6	6	6		
	90159-06092	SCREW, WITH WASHER				5	
11	2JN-16154-00	PLATE, THRUST 1	1	1	1	1	
12	5JG-16321-00	PLATE, FRICTION	1	1	1		
	5BE-16331-00	PLATE, FRICTION 2				1	
13	5JG-16383-00	SPRING, CLUTCH BOSS	1	1	1		
14	5JG-16384-00	PLATE, SEAT	1	1	1		
15	90215-20231	WASHER, LOCK	1	1	1	1	
16	90170-20327	NUT	1	1	1	1	
17	5JG-16356-00	ROD, PUSH 1	1	1	1		
	5BE-16356-00	ROD, PUSH 1				1	
18	93340-21505	BEARING	1	1	1	1	

FIG. 15 CLUTCH



REF. NO.	PART NO.	DESCRIPTION	5NG1	5NG2	5NG4	5GS9	REMARKS
19	90201-125L6	WASHER, PLATE	1	1	1	1	
20	93440-10085	CIRCLIP	1	1	1	1	
21	93511-32027	BALL	1	1	1		
22	5JG-16357-10	ROD, PUSH 2	1	1	1		
	5BE-16357-00	ROD, PUSH 2				1	
23	5JG-16381-00	PUSH LEVER COMP.	1	1	1		
	5BE-16381-00	PUSH LEVER COMP.				1	
24	93315-11206	BEARING	1	1	1	1	
25	93102-12224	OIL SEAL	1	1	1	1	
26	4JT-16384-00	PLATE, SEAT	1	1	1	1	
27	95027-06010	BOLT, FLANGE	1	1	1	1	
28	90508-142B5	SPRING, TORSION	1	1	1	1	

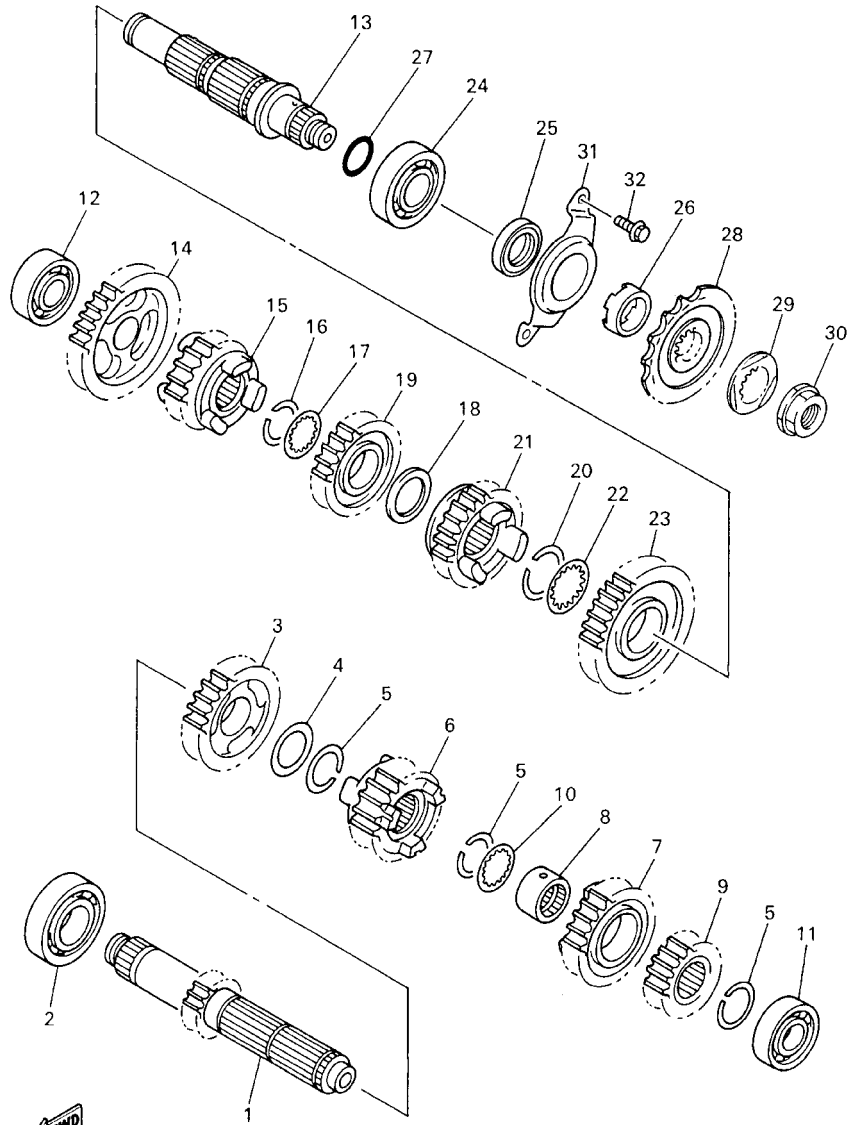
FIG. 16 TRANSMISSION



5GS5100-0160

REF. NO.	PART NO.	DESCRIPTION	5NG1	5NG2	5NG4	5GS9	REMARKS
1	5BF-17411-10	AXLE, MAIN	1	1	1	1	
2	93306-20532	BEARING	1	1	1	1	
3	5BF-17151-00	GEAR, 5TH PINION	1	1	1	1	
4	90201-253K0	WASHER, PLATE (T=1.0)	1	1	1	1	
5	93440-25084	CIRCLIP	3	3	3	3	
6	5BF-17131-20	GEAR, 3RD PINION	1	1	1	1	
7	5BF-17141-20	GEAR, 4TH PINION	1	1	1	1	
8	90387-2113G	COLLAR	1	1	1	1	
9	5BF-17121-00	GEAR, 2ND PINION	1	1	1	1	
10	90209-21332	WASHER	1	1	1	1	
11	93306-00431	BEARING	1	1	1	1	
12	93306-00426	BEARING	1	1	1	1	
13	5BE-17421-00	AXLE, DRIVE	1	1	1	1	
14	5BF-17211-00	GEAR, 1ST WHEEL (34T)	1	1	1	1	
15	5BF-17251-00	GEAR, 5TH WHEEL	1	1	1	1	
16	93440-25084	CIRCLIP	1	1	1	1	
17	90209-21332	WASHER	1	1	1	1	
18	90201-253K0	WASHER, PLATE (T=1.0)	1	1	1	1	
19	5BF-17231-00	GEAR, 3RD WHEEL	1	1	1	1	
20	93440-28062	CIRCLIP	1	1	1	1	
21	5BF-17241-00	GEAR, 4TH WHEEL	1	1	1	1	
22	90209-26348	WASHER	1	1	1	1	
23	5BF-17221-00	GEAR, 2ND WHEEL	1	1	1	1	
24	93306-20593	BEARING	1	1	1	1	
25	93102-32480	OIL SEAL	1	1	1	1	
26	90387-2513F	COLLAR	1	1	1	1	
27	93210-22298	O-RING	1	1	1	1	

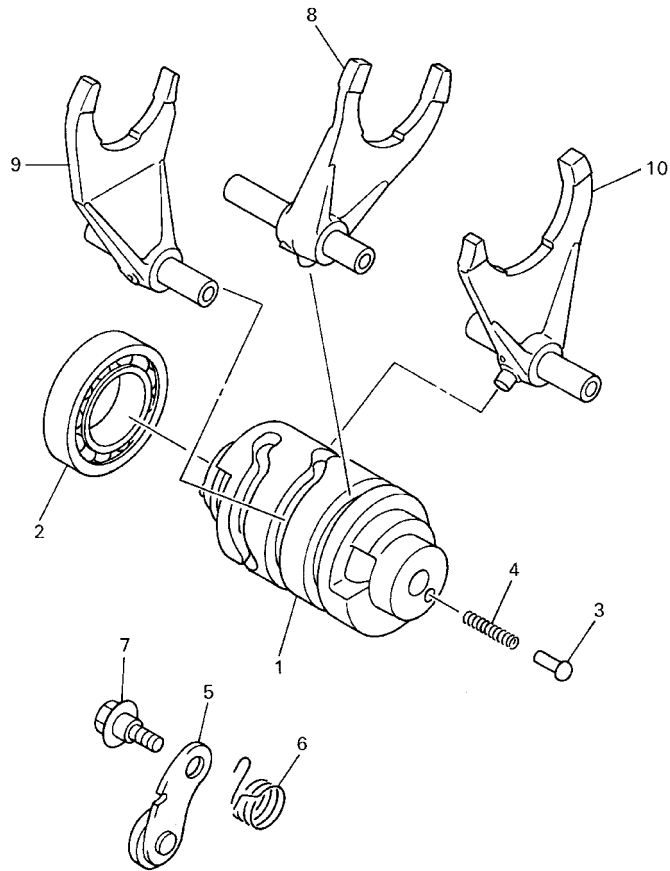
FIG. 16 TRANSMISSION



5GS5100-0160

REF. NO.	PART NO.	DESCRIPTION	5NG1	5NG2	5NG4	5GS9	REMARKS
28	5NG-17460-00	SPROCKET, DRIVE (13T)	1				
	9383E-14215	SPROCKET, DRIVE (14T)		1	1	1	
29	90215-21001	WASHER, LOCK	1	1	1	1	
30	90179-20001	NUT	1	1	1	1	
31	5GR-17471-00	PLATE, COVER	1	1	1	1	
32	90105-06553	BOLT, WASHER BASED	2	2	2	2	

FIG. 17 SHIFT CAM. FORK

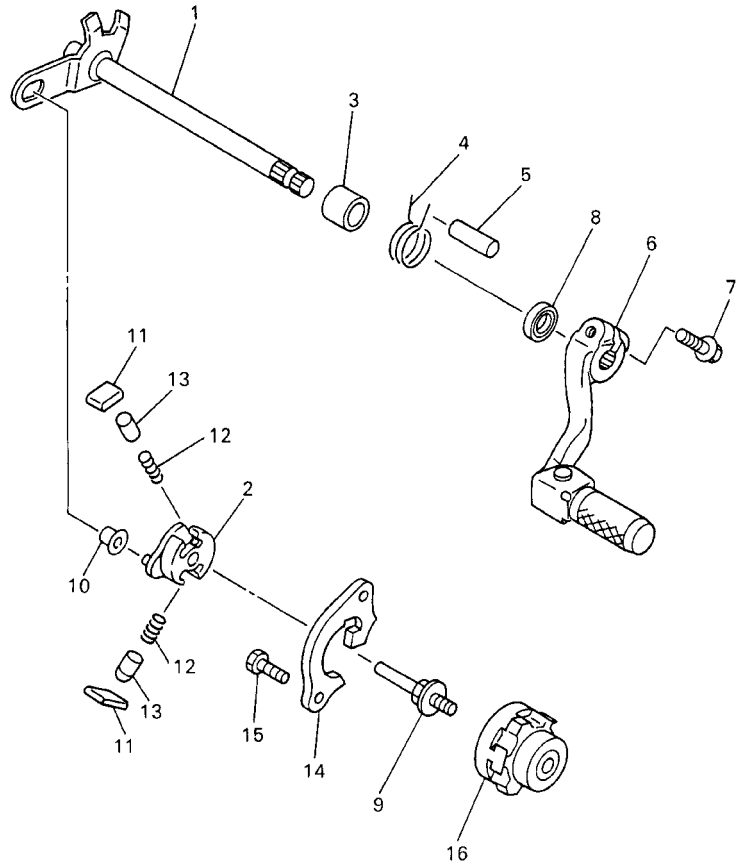


REF. NO.	PART NO.	DESCRIPTION	5NG1	5NG2	5NG4	5GS9	REMARKS
1	5JG-18541-00	CAM, SHIFT	1	1	1	1	
2	93306-90501	BEARING	1	1	1	1	
3	4BA-18542-00	POINT, NEUTRAL	1	1	1	1	
4	90501-06022	SPRING, COMPRESSION	1	1	1	1	
5	3XK-18140-00	STOPPER LEVER ASSY	1	1	1	1	
6	90508-26561	SPRING, TORSION	1	1	1	1	
7	90109-063F8	BOLT	1	1	1	1	
8	5BE-18501-00	FORK, SHIFT 1	1	1	1	1	
9	5BE-18502-10	FORK, SHIFT 2	1	1	1	1	
10	5BE-18503-00	FORK, SHIFT 3	1	1	1	1	



5BE100-8170

FIG. 18 SHIFT SHAFT

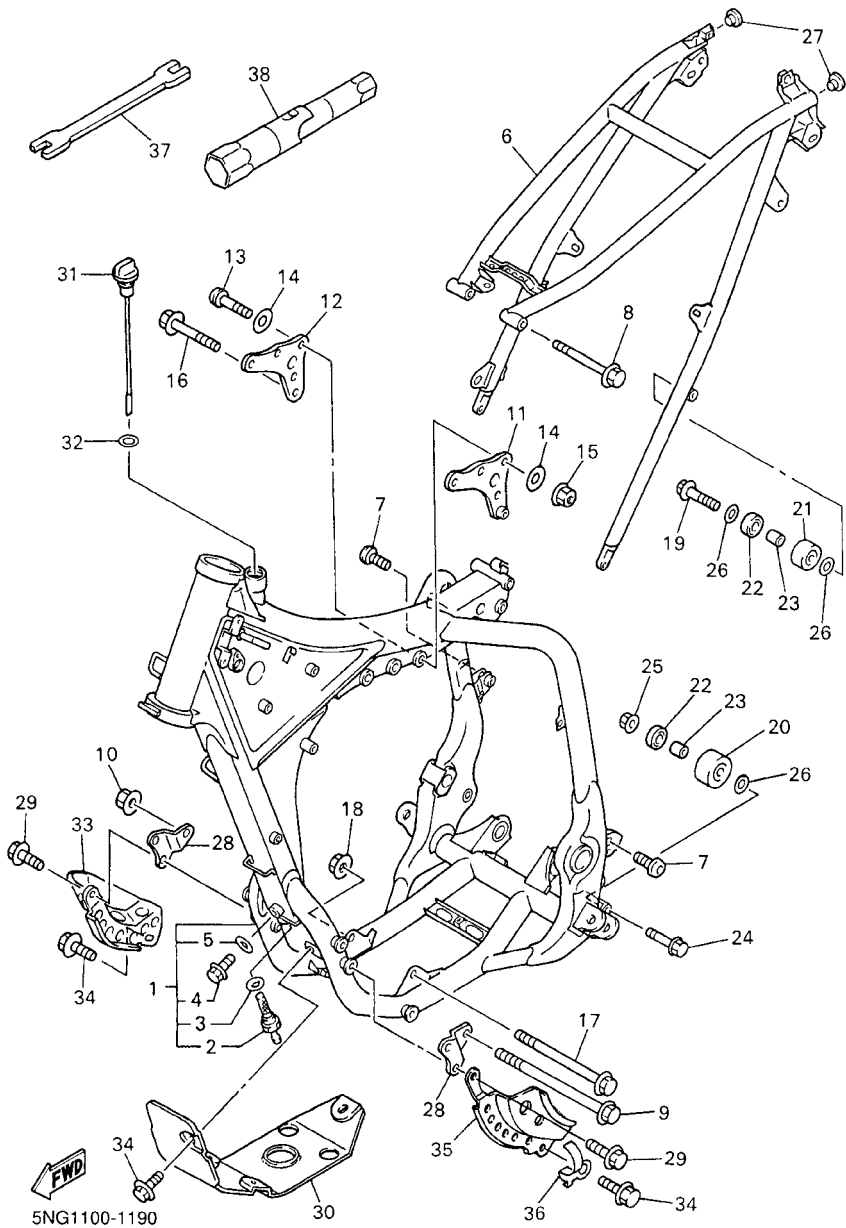


REF. NO.	PART NO.	DESCRIPTION	5NG1	5NG2	5NG4	5GS9	REMARKS
1	3XK-18101-02	SHIFT SHAFT ASSY	1	1	1	1	
2	5LP-18122-00	LEVER, SHIFT 2	1	1	1	1	
3	90387-124F4	COLLAR	1	1	1	1	
4	90508-291A8	SPRING, TORSION	1	1	1	1	
5	93608-33002	PIN, DOWEL	1	1	1	1	
6	5BE-18110-00	SHIFT PEDAL ASSY	1	1	1	1	
7	95027-06020	BOLT, FLANGE	1	1	1	1	
8	93102-12106	OIL SEAL (SD 12-22-5 HS)	1	1	1	1	
9	3XJ-18173-00	PIN, SHIFT	1	1	1	1	
10	3XJ-18178-00	ROLLER, SHIFT LEVER	1	1	1	1	
11	3XJ-18182-00	PAWL, SHIFTER	2	2	2	2	
12	90501-052G5	SPRING, COMPRESSION	2	2	2	2	
13	3XJ-18184-00	PIN, PAWL	2	2	2	2	
14	5BE-18172-00	GUIDE, SHIFT	1	1	1	1	
15	90101-06664	BOLT	2	2	2	2	
16	4EW-18185-00	SEGMENT	1	1	1	1	



5NG1100-1180

FIG. 19 FRAME



REF. NO.	PART NO.	DESCRIPTION	5NG1	5NG2	5NG4	5GS9	REMARKS
1	5NG-21101-00-P0	FRONT FRAME COMP.	1	1	1	1	DPBMC
2	5BE-21756-00	.NET, FILTER	1	1	1	1	
3	90430-18130	.GASKET	1	1	1	1	
4	95827-08012	.BOLT, FLANGE	1	1	1	1	
5	90430-08119	.GASKET	1	1	1	1	
6	5NG-21190-00-P0	REAR FRAME COMP.	1	1	1	1	DPBMC
7	90110-08096	BOLT, HEXAGON SOCKET HEAD	2	2	2	2	
8	90105-08099	BOLT, WASHER BASED	1	1	1	1	
9	95817-10160	BOLT, FLANGE	1	1	1	1	
10	95607-10200	NUT, SELF-LOCKING	1	1	1	1	
11	5GR-21425-01	BRACKET, REAR UPPER 1	1	1	1	1	
12	5BE-21425-01	BRACKET, REAR UPPER 1	1	1	1	1	
13	92017-08055	BOLT, BUTTON HEAD	3	3	3	3	
14	90201-086P8	WASHER, PLATE	6	6	6	6	
15	90185-08169	NUT, SELF-LOCKING	3	3	3	3	
16	95817-10050	BOLT, FLANGE	1	1	1	1	
17	90105-10733	BOLT, WASHER BASED	1	1	1	1	
18	95607-10200	NUT, SELF-LOCKING	1	1	1	1	
19	95027-08040	BOLT, FLANGE	1	1	1	1	
20	3JD-22178-10	TENSIONER	1	1	1	1	
21	4EW-22178-00	TENSIONER	1	1	1	1	
22	93300-60804	BEARING	2	2	2	2	
23	90387-086N4	COLLAR	2	2	2	2	
24	95027-08065	BOLT, FLANGE	1	1	1	1	
25	95707-08500	NUT, FLANGE	1	1	1	1	
26	90201-086P8	WASHER, PLATE	3	3	3	3	
27	90480-17218	GROMMET	2	2	2	2	

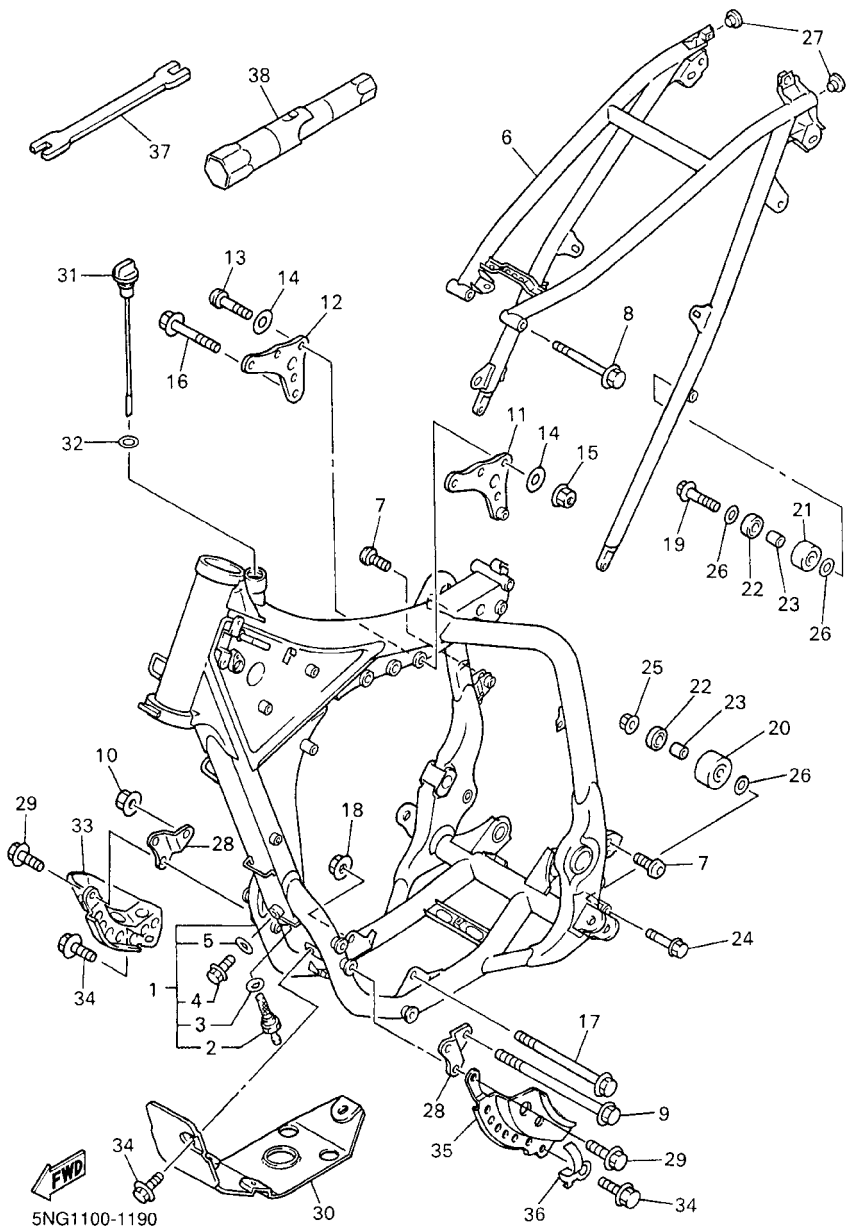
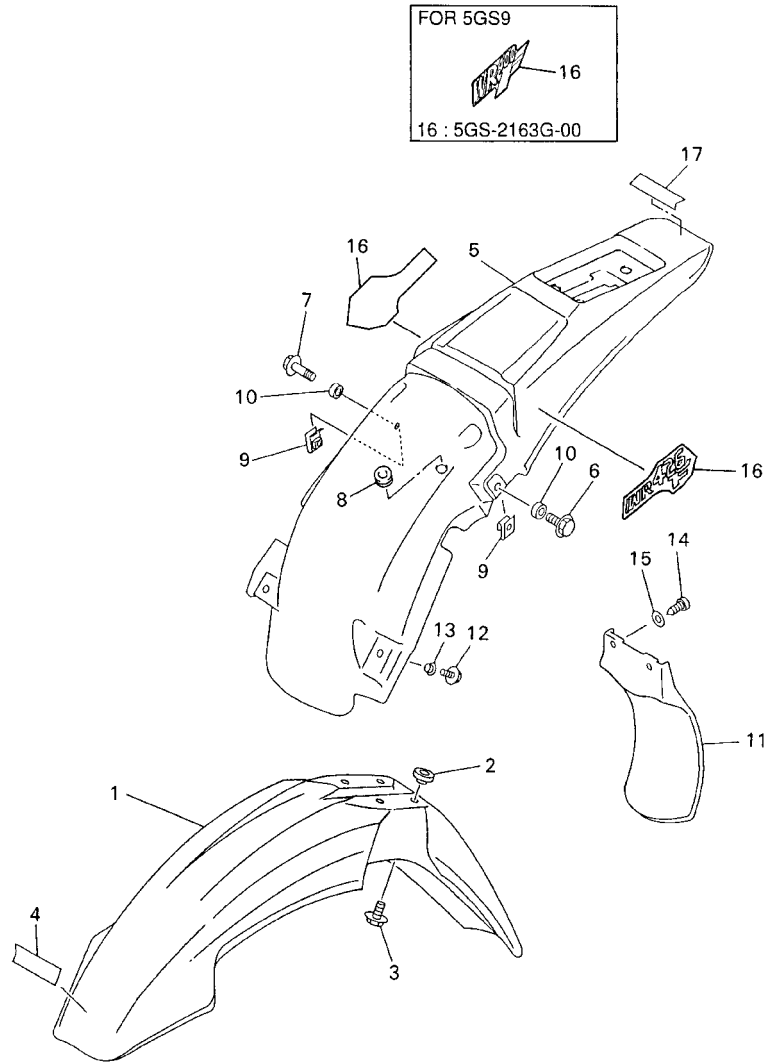


FIG. 19 FRAME

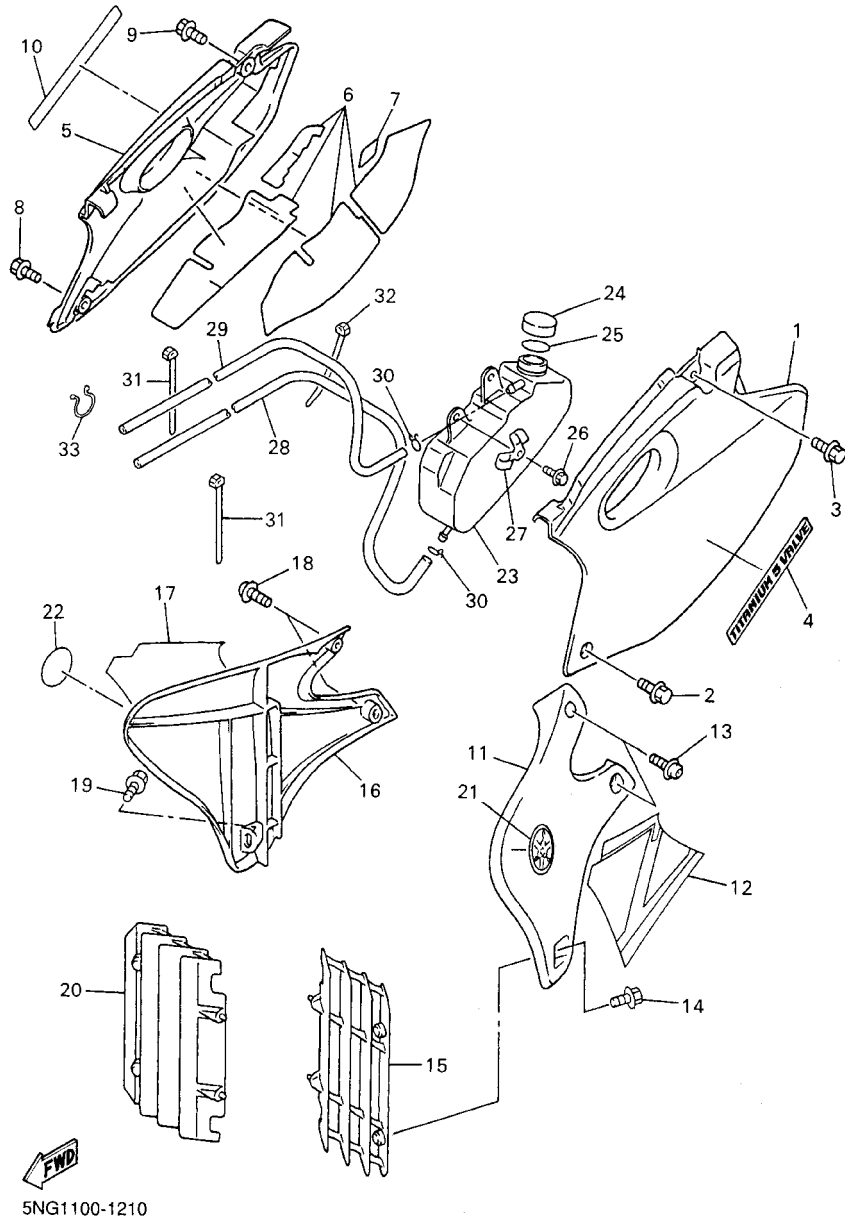
REF. NO.	PART NO.	DESCRIPTION	5NG1	5NG2	5NG4	5GS9	REMARKS
28	5BE-21417-00	BRACKET, FRONT LOWER 1	2	2	2	2	
29	95817-08016	BOLT, FLANGE	4	4	4	4	
30	5BE-21471-00	PROTECTOR, ENGINE	1	1	1	1	
31	5BE-15362-00	PLUG, OIL LEVEL	1	1	1	1	
32	93210-19123	O-RING	1	1	1	1	
33	5BE-2147A-00	GUARD, ENGINE 1	1	1	1	1	
34	95027-08012	BOLT, FLANGE	6	6	6	6	
35	5NG-2147A-10	GUARD, ENGINE 1	1	1	1	1	
36	5NG-21338-00	CLAMP	1	1	1	1	
37	5ET-28166-00	WRENCH, HEXAGON	1	1	1	1	
38	5BE-2814F-00	BOX, SPARK PLUG	1	1	1	1	

FIG. 20 FENDER



FWD
5NG1100-1200

REF. NO.	PART NO.	DESCRIPTION	5NG1	5NG2	5NG4	5GS9	REMARKS
1	5HD-21511-00	FENDER, FRONT	1	1	1	1	
2	3JD-21748-00	COLLAR	4	4	4	4	
3	90119-06096	BOLT, WITH WASHER	4	4	4	4	
4	4ES-2153E-01	EMBLEM, YAMAHA	1	1	1	1	
5	5BF-21611-00	FENDER, REAR	1	1	1	1	
6	90105-06553	BOLT, WASHER BASED	1	1	1	1	
7	90119-06163	BOLT, WITH WASHER	1	1	1	1	
8	90480-14323	GROMMET	1	1	1	1	
9	90183-06023	NUT, SPRING	2	2	2	2	
10	90387-0701A	COLLAR	2	2	2	2	
11	5BE-21642-00	GUARD, FLAP	1	1	1	1	
12	90105-06690	BOLT, WASHER BASED	2	2	2	2	
13	90387-06009	COLLAR	2	2	2	2	
14	97707-60016	SCREW, TAPPING	2	2	2	2	
15	90201-06557	WASHER, PLATE	2	2	2	2	
16	5NG-2163G-00	EMBLEM 1	2	2	2		
	5GS-2163G-00	EMBLEM 1				2	
17	4ES-2153E-01	EMBLEM, YAMAHA	1	1	1	1	



5NG1100-1210

FIG. 21 SIDE COVER

REF. NO.	PART NO.	DESCRIPTION	5NG1	5NG2	5NG4	5GS9	REMARKS
1	5BF-21711-00	COVER, SIDE 1	1	1	1	1	
2	95827-06016	BOLT, FLANGE	1	1	1	1	
3	90119-08238	BOLT, WITH WASHER	1	1	1	1	
4	5JG-21781-50	EMBLEM 1	1	1	1	1	
5	5BF-21721-00	COVER, SIDE 2	1	1	1	1	
6	5BF-2174A-00	INSULATOR, SIDE COVER	1	1	1	1	
7	3FY-21575-01	SEAL 1	1	1	1	1	
8	95827-06016	BOLT, FLANGE	1	1	1	1	
9	90119-08238	BOLT, WITH WASHER	1	1	1	1	
10	5JG-21781-50	EMBLEM 1	1	1	1	1	
11	5NL-21731-00	COVER, SIDE 3	1		1		UR FOR CAN
	5JG-21731-01	COVER, SIDE 3		1	1	1	UR FOR OCE,ZAF
12	5JG-2173E-50	GRAPHIC 1	1	1	1	1	
13	90159-06182	SCREW, WITH WASHER	2	2	2	2	
14	90159-06078	SCREW, WITH WASHER	1	1	1	1	
15	5JG-2172A-00	PANEL 1	1	1	1	1	
16	5NL-21741-00	COVER, SIDE 4	1		1		UR FOR CAN
	5JG-21741-01	COVER, SIDE 4		1	1	1	UR FOR OCE,ZAF
17	5JG-2173F-50	GRAPHIC 2	1	1	1	1	
18	90159-06182	SCREW, WITH WASHER	2	2	2	2	
19	90159-06078	SCREW, WITH WASHER	1	1	1	1	
20	5JG-2172A-00	PANEL 1	1	1	1	1	
21	5MV-2175C-00	TUNING FORK MARK	1	1	1	1	
22	5MV-2175C-00	TUNING FORK MARK	1	1	1	1	
23	5GS-21871-00	TANK, RECOVERY	1	1	1	1	
24	26H-21875-00	CAP	1	1	1	1	
25	26H-21874-00	GASKET	1	1	1	1	

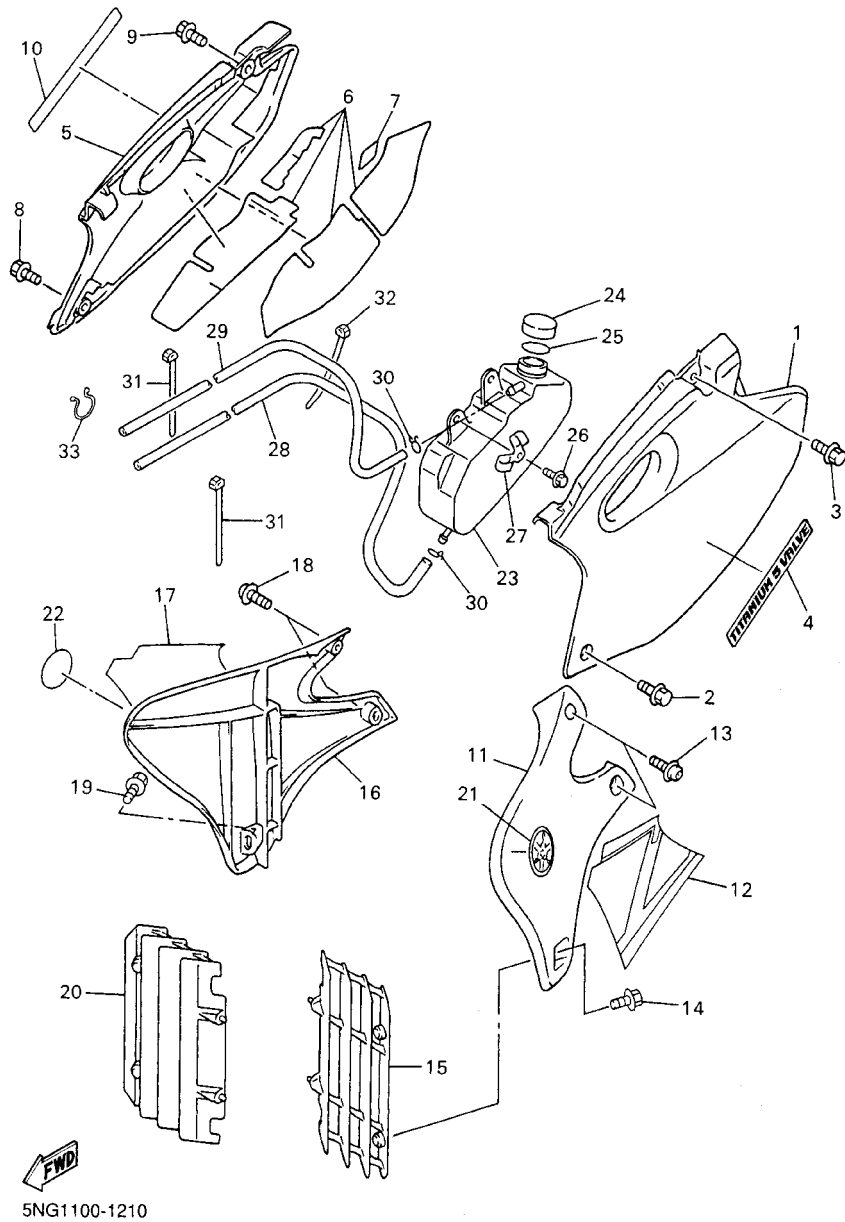
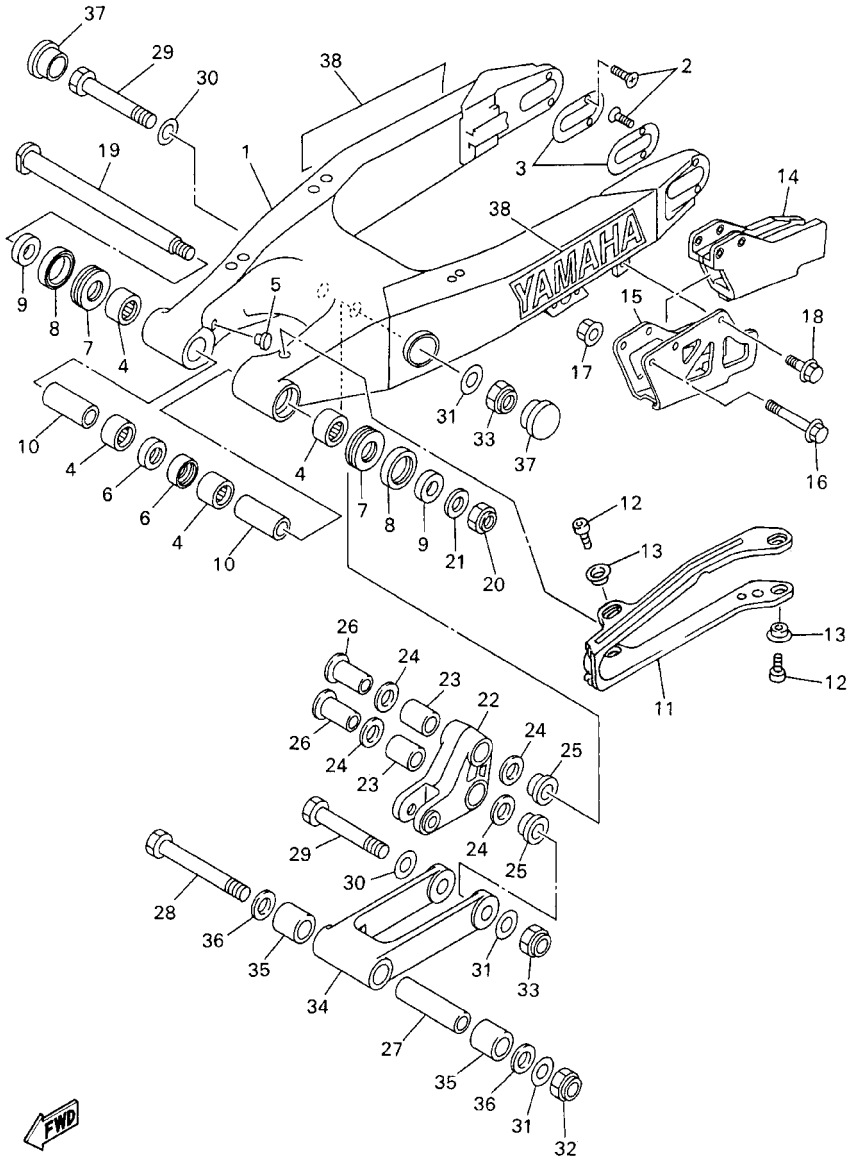


FIG. 21 SIDE COVER

REF. NO.	PART NO.	DESCRIPTION	5NG1	5NG2	5NG4	5GS9	REMARKS
26	90119-06060	BOLT, WITH WASHER	1	1	1	1	
27	5BF-21823-00	CLAMP, HOSE	1	1	1	1	
28	91A20-05130	TUBE, FLEXIBLE VINYL	1	1	1	1	
29	91A21-05105	TUBE, FLEXIBLE	1	1	1	1	
30	90467-08017	CLIP	3	3	3	3	
31	90464-13077	CLAMP	2	2	2	2	
32	90464-13073	CLAMP	1	1	1	1	
33	90464-16039	CLAMP	1	1	1	1	

FIG. 22 REAR ARM

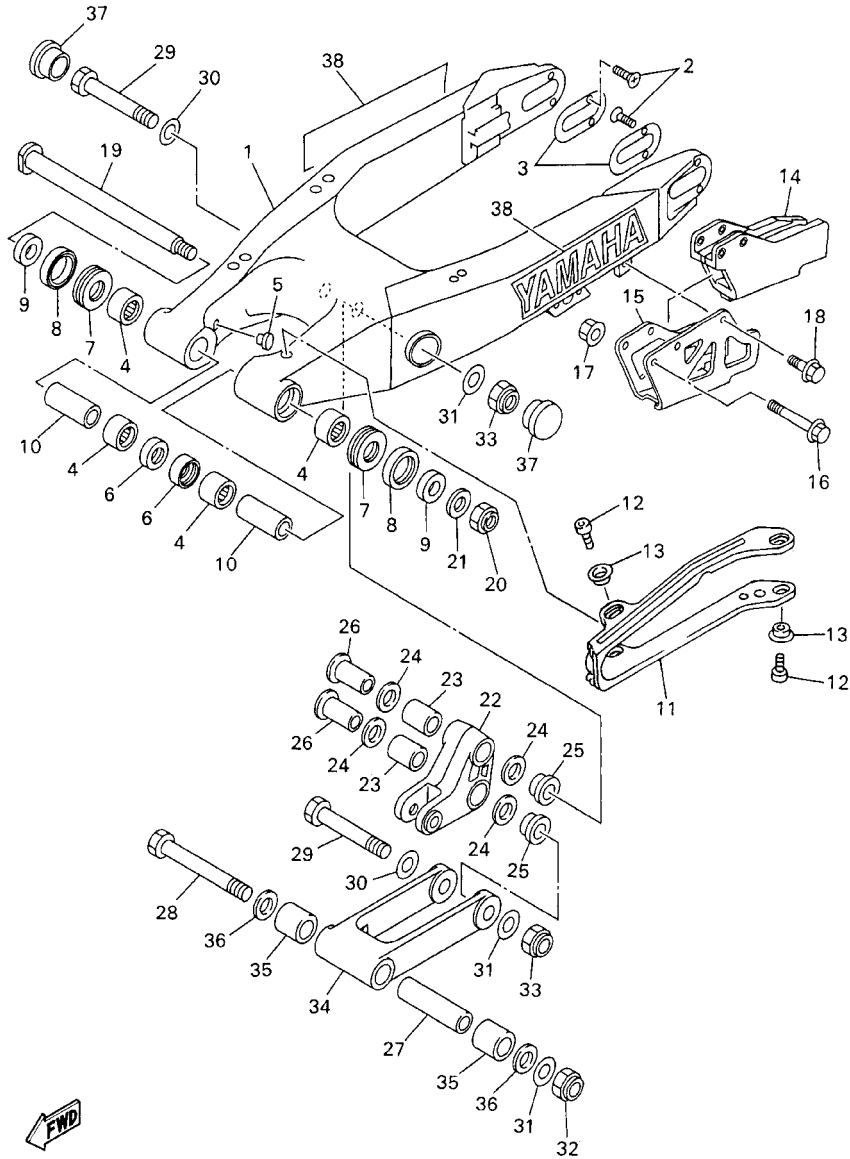


5NG1100-1220

REF. NO.	PART NO.	DESCRIPTION	5NG1	5NG2	5NG4	5GS9	REMARKS
1	5MV-22110-00	REAR ARM COMP.	1	1	1	1	
2	90151-04048	SCREW, COUNTERSUNK	4	4	4	4	
3	5ET-22355-00	PATCH	2	2	2	2	
4	93317-22262	BEARING	4	4	4	4	
5	90338-16148	PLUG	2	2	2	2	
6	93106-22019	OIL SEAL (DC 22-28-8)	2	2	2	2	
7	93342-22217	BEARING	2	2	2	2	
8	93109-28043	OIL SEAL	2	2	2	2	
9	90387-1714R	COLLAR	2	2	2	2	
10	90387-1714S	COLLAR	2	2	2	2	
11	5MV-22151-00	SEAL, GUARD	1	1	1	1	
12	91317-05008	BOLT	4	4	4	4	
13	5JG-22156-00	WASHER, PLATE	4	4	4	4	
14	4XM-22199-00	SUPPORT, CHAIN	1	1	1	1	
15	4XM-22128-00	COVER, THRUST 1	1	1	1	1	
16	95027-06050	BOLT, FLANGE	2	2	2	2	
17	90179-06568	NUT	2	2	2	2	
18	95027-06010	BOLT, FLANGE	1	1	1	1	
19	5DH-22141-00	SHAFT, PIVOT	1	1	1	1	
20	90185-16127	NUT, SELF-LOCKING	1	1	1	1	
21	90201-164H4	WASHER, PLATE	1	1	1	1	
22	5ET-2217A-00	ARM, RELAY	1	1	1	1	
23	93315-32056	BEARING	2	2	2	2	
24	93109-20076	OIL SEAL	4	4	4	4	
25	90387-16005	COLLAR	2	2	2	2	
26	90387-16007	COLLAR	2	2	2	2	
27	90387-167Y9	COLLAR	1	1	1	1	

D6

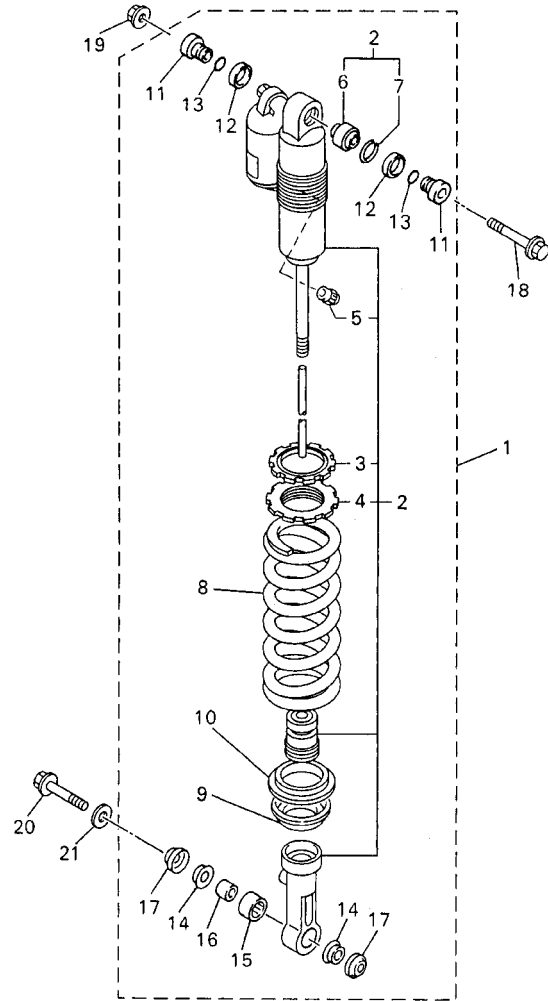
FIG. 22 REAR ARM



5NG1100-1220

REF. NO.	PART NO.	DESCRIPTION	5NG1	5NG2	5NG4	5GS9	REMARKS
28	90109-147F2	BOLT	1	1	1	1	
29	90109-142F4	BOLT	2	2	2	2	
30	90201-164H4	WASHER, PLATE	2	2	2	2	
31	90201-14740	WASHER, PLATE	3	3	3	3	
32	90185-14112	NUT, SELF-LOCKING	1	1	1	1	
33	95617-14100	NUT, U	2	2	2	2	
34	5DH-2217F-01	ROD, CONNECTING 1	1	1	1	1	
35	93315-32056	BEARING	2	2	2	2	
36	93109-20076	OIL SEAL	2	2	2	2	
37	5HD-2135F-00	COVER	2	2	2	2	
38	99244-00200	EMBLEM, YAMAHA	2	2	2	2	

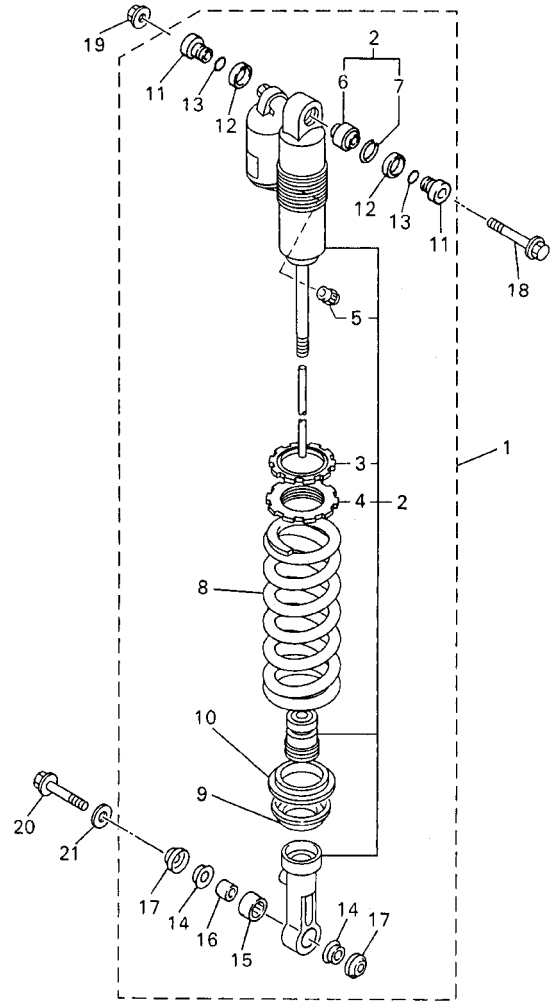
FIG. 23 REAR SUSPENSION



5NG1100-1230

REF. NO.	PART NO.	DESCRIPTION	5NG1	5NG2	5NG4	5GS9	REMARKS
1	5NG-22210-00	SHOCK ABSORBER ASSY, REAR	1				FOR U49
	5NG-22210-10	SHOCK ABSORBER ASSY, REAR		1		1	FOR EUR
	5NG-22210-30	SHOCK ABSORBER ASSY, REAR			1		FOR CAN
	5NG-22210-40	SHOCK ABSORBER ASSY, REAR			1	1	FOR NZL,ZAF,AUS
2	5NG-22201-00	.DAMPER SUB ASSY	1				FOR U49
	5NG-22201-10	.DAMPER SUB ASSY		1		1	FOR EUR
	5NG-22201-30	.DAMPER SUB ASSY			1		FOR CAN
	5NG-22201-40	.DAMPER SUB ASSY			1	1	FOR NZL,ZAF,AUS
3	3SP-22234-00	..GUIDE, SPRING 3	1	1	1	1	
4	3SP-22213-00	..SEAT, SPRING UPPER	1	1	1	1	
5	509-23184-L0	..CAP, AIR VALVE	1	1	1	1	
6	4JX-22226-00	..BUSH, SHOCK ABSORBER LOWER	1	1	1	1	
7	5DH-23183-00	..CIRCLIP	1	1	1	1	
8	5DH-22212-30	..SPRING (K=5.0)	1		1	1	UR FOR U49,CAN, NZL,ZAF,AUS
	5DH-22212-20	..SPRING (K=4.8)		1		1	FOR EUR
9	5DH-22214-00	..GUIDE, SPRING 1	1	1	1	1	
10	5MV-22224-00	..GUIDE, SPRING 2	1	1	1	1	
11	5DH-22253-00	..COLLAR, DISTANCE	2	2	2	2	
12	3JE-22475-00	..SEAL, DUST	2	2	2	2	
13	4EW-22474-00	..SEAL, RING	2	2	2	2	
14	5MV-22253-00	..COLLAR, DISTANCE	2	2	2	2	
15	5MV-22176-00	..BEARING	1	1	1	1	
16	5MV-22184-00	..BUSH	1	1	1	1	
17	5MV-22475-00	..SEAL, DUST	2	2	2	2	
18	90105-10323	BOLT, WASHER BASED	1	1	1	1	
19	95607-10200	NUT, SELF-LOCKING	1	1	1	1	
20	90105-105A2	BOLT, WASHER BASED	1	1	1	1	

FIG. 23 REAR SUSPENSION

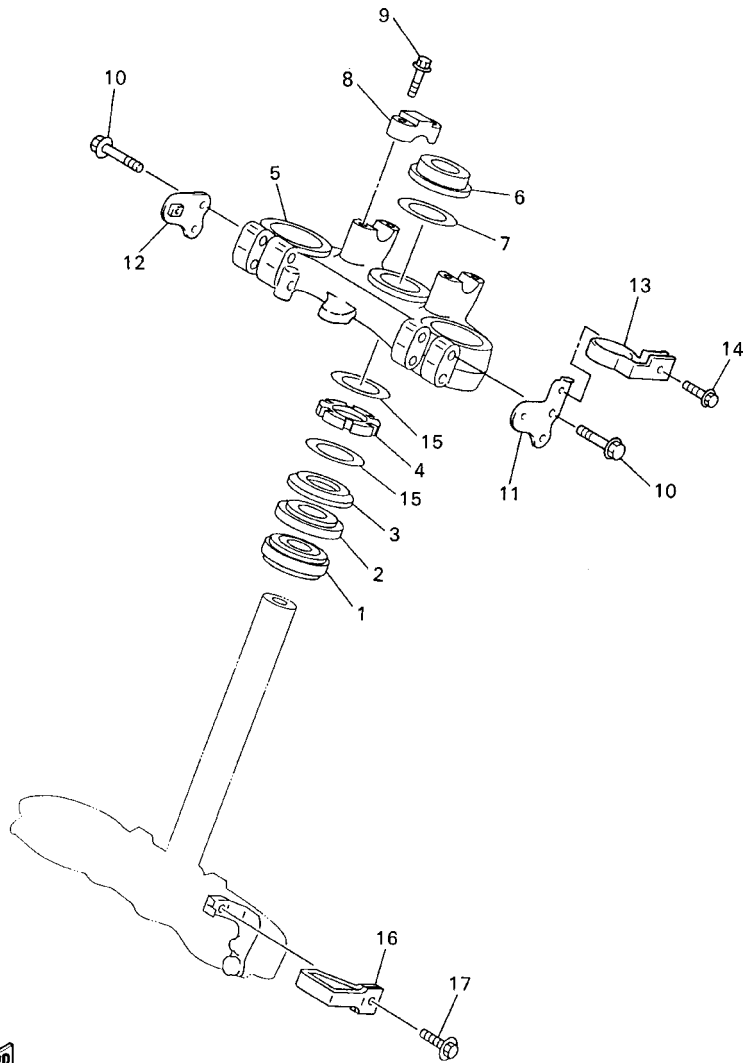


REF. NO.	PART NO.	DESCRIPTION	5NG1	5NG2	5NG4	5GS9	REMARKS
21	90201-112U6	WASHER, PLATE	1	1	1	1	

 5NG1100-1230

D9

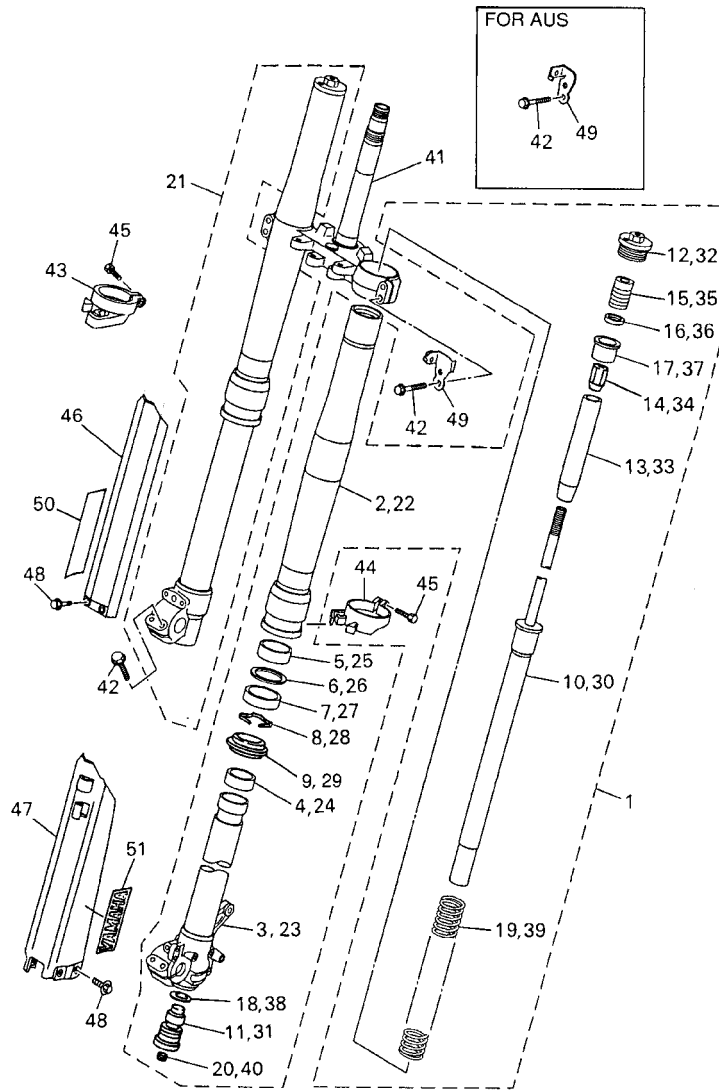
FIG. 24 STEERING



5GS5100-0240

REF. NO.	PART NO.	DESCRIPTION	5NG1	5NG2	5NG4	5GS9	REMARKS
1	93332-00081	BEARING	1	1	1	1	
2	93332-00068	BEARING	1	1	1	1	
3	4EW-23416-00	COVER, BALL RACE 2	1	1	1	1	
4	90179-28650	NUT	1	1	1	1	
5	5GS-23435-50	CROWN, HANDLE	1	1	1	1	
6	90170-24373	NUT	1	1	1	1	
7	90201-247L2	WASHER, PLATE	1	1	1	1	
8	3SP-23441-00	HOLDER, HANDLE UPPER	2	2	2	2	
9	95027-08035	BOLT, FLANGE	4	4	4	4	
10	95027-08040	BOLT, FLANGE	4	4	4	4	
11	4GY-2831V-00	STAY, HEAD LIGHT 1	1	1	1	1	
12	4GY-2832V-00	STAY, HEAD LIGHT 2	1	1	1	1	
13	4GY-23389-00	GUIDE, CABLE	1	1	1	1	
14	90105-05361	BOLT, WASHER BASED	1	1	1	1	
15	90201-286K9	WASHER, PLATE	2	2	2	2	
16	4DA-23389-00	GUIDE, CABLE	1	1	1	1	
17	90119-05071	BOLT, WITH WASHER	1	1	1	1	

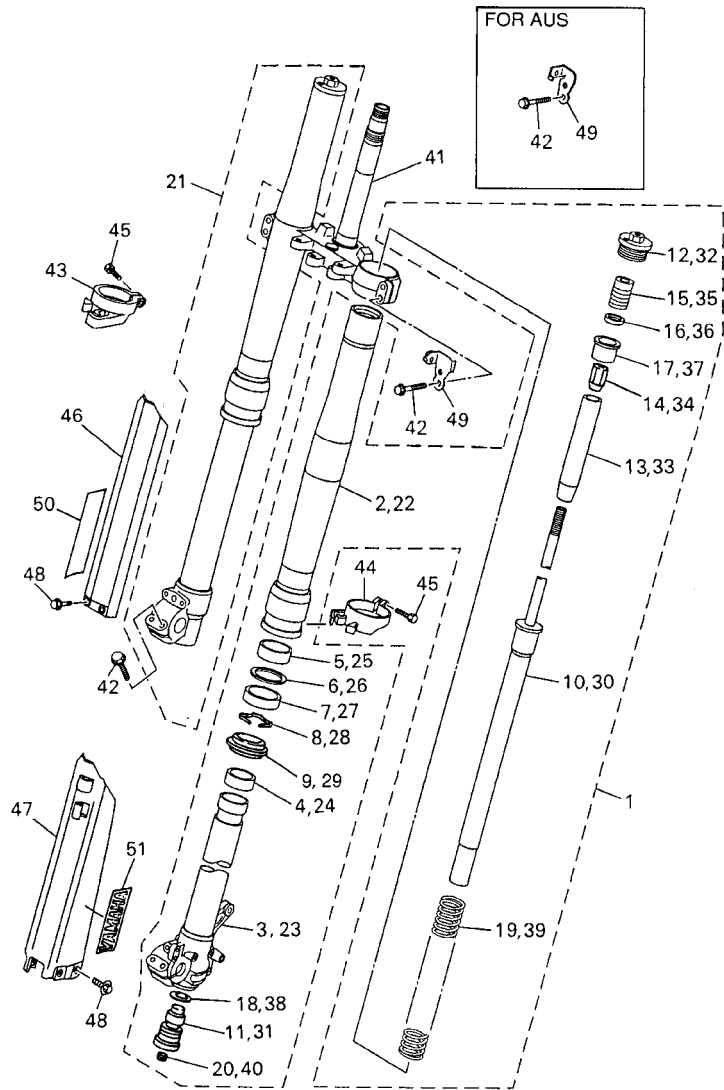
FIG. 25 FRONT FORK



5NG1100-1250

REF. NO.	PART NO.	DESCRIPTION	5NG1	5NG2	5NG4	5GS9	REMARKS
1	5NG-23102-00	FRONT FORK ASSY (L.H)	1		1		
	5NG-23102-10	FRONT FORK ASSY (L.H)		1		1	
2	5HD-23136-L0	.TUBE, OUTER (RIGHT)	1	1	1	1	
3	5DH-23120-L0	.INNER TUBE COMP.2	1	1	1	1	
4	5ET-23171-L0	.PISTON, FRONT FORK	1	1	1	1	
5	5ET-23125-L0	.METAL, SLIDE 1	1	1	1	1	
6	4SS-23146-L0	.WASHER, OIL SEAL	1	1	1	1	
7	5ET-23145-L0	.OIL SEAL	1	1	1	1	
8	4SS-23153-L0	.RING, SNAP	1	1	1	1	
9	5HD-23144-L0	.SEAL, DUST	1	1	1	1	
10	5MV-23170-L0	.CYLINDER COMP., FRONT FORK	1		1		
	5NG-23170-10	.CYLINDER COMP., FRONT FORK		1		1	
11	5NG-2316A-00	.VALVE COMP.	1		1		
	5NG-2316A-10	.VALVE COMP.		1		1	
12	5MV-23111-L0	.BOLT, CAP	1	1	1	1	
13	5DH-23142-L0	.SEAT, SPRING UPPER	1	1	1	1	
14	5HD-23393-L0	.NUT, SPECIAL	1	1	1	1	
15	5DH-23195-L0	.RUBBER	1	1	1	1	
16	5DH-23149-L0	.WASHER, SPRING UPPER	1	1	1	1	
17	5DH-23118-L0	.SPACER	1	1	1	1	
18	4SS-23158-L0	.GASKET		1		1	
19	5GR-23141-L0	.SPRING, FRONT FORK (K=0.46)	1		1		
	4SR-23141-L0	.SPRING, FRONT FORK (K=0.42)		1		1	
20	3JD-2312G-L0	.PLUG	1	1	1	1	
21	5NG-23103-00	FRONT FORK ASSY (R.H)	1		1		
	5NG-23103-10	FRONT FORK ASSY (R.H)		1		1	
22	5HD-23136-L0	.TUBE, OUTER (RIGHT)	1	1	1	1	

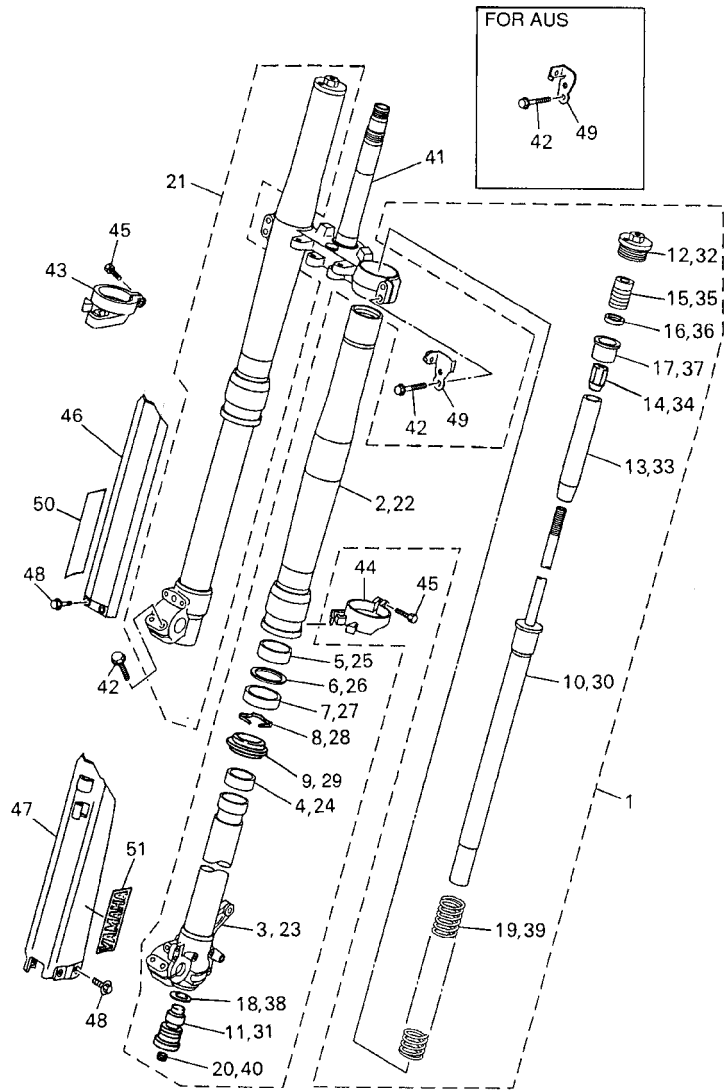
FIG. 25 FRONT FORK



5NG1100-1250

REF. NO.	PART NO.	DESCRIPTION	5NG1	5NG2	5NG4	5GS9	REMARKS
23	5BF-23110-L0	.INNER TUBE COMP.1	1	1	1	1	
24	5ET-23171-L0	.PISTON, FRONT FORK	1	1	1	1	
25	5ET-23125-L0	.METAL, SLIDE 1	1	1	1	1	
26	4SS-23146-L0	.WASHER, OIL SEAL	1	1	1	1	
27	5ET-23145-L0	.OIL SEAL	1	1	1	1	
28	4SS-23153-L0	.RING, SNAP	1	1	1	1	
29	5HD-23144-L0	.SEAL, DUST	1	1	1	1	
30	5MV-23170-L0	.CYLINDER COMP., FRONT FORK	1		1		
	5NG-23170-10	.CYLINDER COMP., FRONT FORK		1		1	
31	5NG-2316A-00	.VALVE COMP.	1		1		
	5NG-2316A-10	.VALVE COMP.		1		1	
32	5MV-23111-L0	.BOLT, CAP	1	1	1	1	
33	5DH-23142-L0	.SEAT, SPRING UPPER	1	1	1	1	
34	5HD-23393-L0	.NUT, SPECIAL	1	1	1	1	
35	5DH-23195-L0	.RUBBER	1	1	1	1	
36	5DH-23149-L0	.WASHER, SPRING UPPER	1	1	1	1	
37	5DH-23118-L0	.SPACER	1	1	1	1	
38	4SS-23158-L0	.GASKET	1	1	1	1	
39	5GR-23141-L0	.SPRING, FRONT FORK (K=0.46)	1		1		
	4SR-23141-L0	.SPRING, FRONT FORK (K=0.42)		1		1	
40	3JD-2312G-L0	.PLUG	1	1	1	1	
41	5GS-23340-50	UNDER BRACKET COMP.	1		1		
	5GS-23340-60	UNDER BRACKET COMP.		1		1	
42	5MV-23346-L0	BOLT 1	8	8	8	8	
43	4SS-2314G-L0	PROTECTOR GUIDE COMP., 2	1	1	1	1	
44	5DH-2314F-L0	PROTECTOR GUIDE COMP., 1	1	1	1	1	
45	4SS-23346-L0	BOLT 1	2	2	2	2	

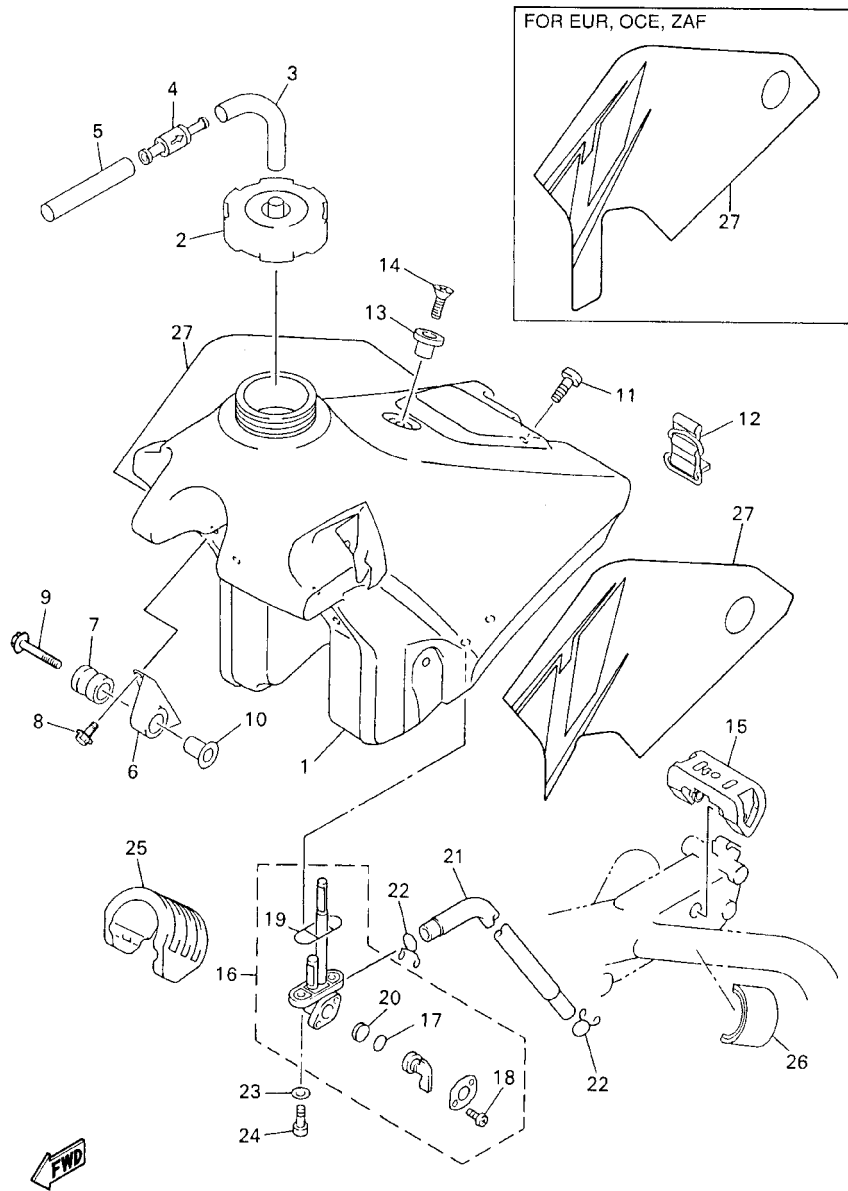
FIG. 25 FRONT FORK



REF. NO.	PART NO.	DESCRIPTION	5NG1	5NG2	5NG4	5GS9	REMARKS
46	5BF-2314J-00	PROTECTOR COMP., 2	1	1	1	1	
47	5DH-2314H-00	PROTECTOR COMP., 1	1	1	1	1	
48	3SP-23356-L0	BOLT 2	6	6	6	6	
49	5HC-2331E-00	GUIDE, CABLE	1		1	1	UR FOR AUS
	4EW-2331E-L1	GUIDE, CABLE		1		1	UR FOR EUR
50	4XL-2153A-10	EMBLEM, YAMAHA	1	1	1	1	
51	4XL-2153A-10	EMBLEM, YAMAHA	1	1	1	1	



5NG1100-1250

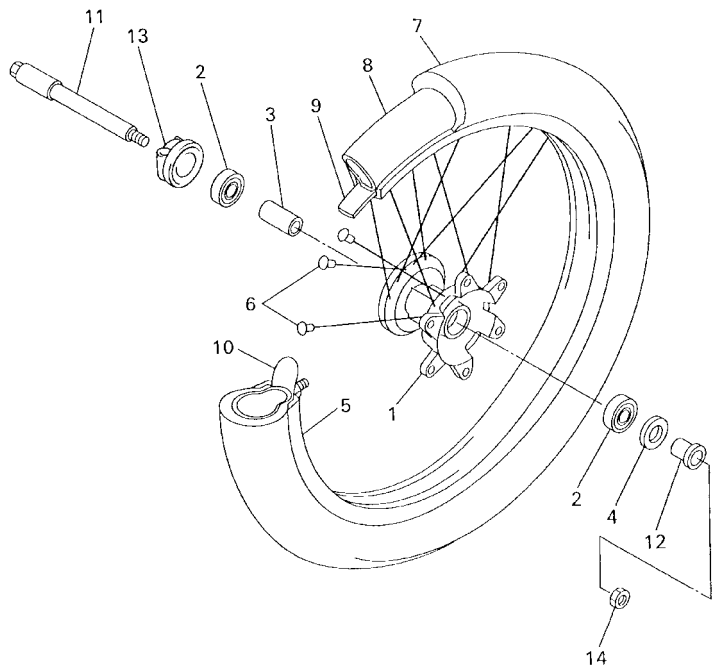


5NG1100-1260

FIG. 26 FUEL TANK

REF. NO.	PART NO.	DESCRIPTION	5NG1	5NG2	5NG4	5GS9	REMARKS
25	5BE-24182-00	DAMPER, LOCATING 2	1	1	1	1	
26	3V6-22358-00	SEAL 1	2	2	2	2	
27	5NG-24240-00	GRAPHIC SET	1		1		UR FOR CAN
	5JG-24240-50	GRAPHIC SET		1	1	1	UR FOR OCE,ZAF

FIG. 28 FRONT WHEEL

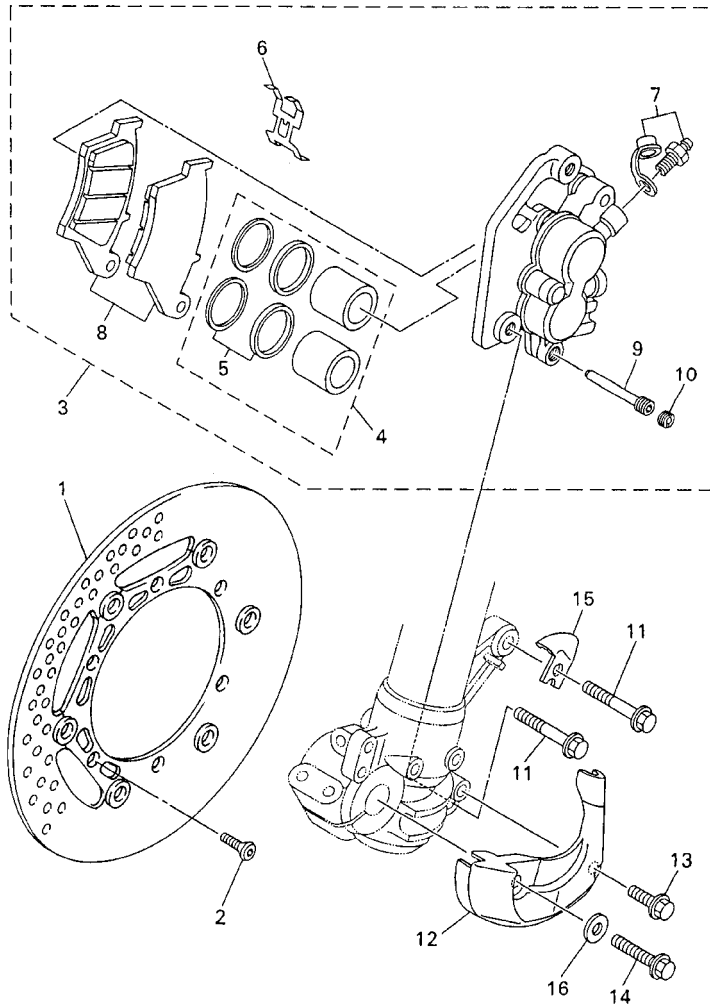


REF. NO.	PART NO.	DESCRIPTION	5NG1	5NG2	5NG4	5GS9	REMARKS
1	5BF-25111-01	HUB, FRONT	1	1	1	1	
2	93306-90403	BEARING	2	2	2	2	
3	5DH-25117-00	SPACER, BEARING	1	1	1	1	
4	93102-26468	OIL SEAL	1	1	1	1	
5	94416-21613	RIM (1.60-21)	1	1	1	1	
6	4DA-25104-00	SPOKE SET, FRONT	1	1	1	1	
7	94108-21008	TIRE (80/100-21 51M D739F)	1		1		DUNLOP FOR CAN, ZAF
	*	TIRE (90/90-21 54R ENDURO COMPETITION 3)		1	1	1	LM MICHELIN FOR OCE
8	94227-21101	TUBE (80/100-21 TR4 BTL)	1		1		DUNLOP FOR CAN, ZAF
	*	TUBE (90/90-21)		1	1	1	LM MICHELIN FOR OCE
9	94309-21161	BAND, RIM (70-80/100-21)	1		1		DUNLOP FOR CAN, ZAF
	*	BAND, RIM (2.75-21)		1	1	1	LM MICHELIN FOR OCE
10	2J5-25394-01	SPACER, BEAD	1	1	1	1	
11	5BE-25181-00	AXLE, WHEEL	1	1	1	1	
12	5DH-25183-00	COLLAR, WHEEL	1	1	1	1	
13	5BF-25190-01	GEAR UNIT ASSY	1	1	1	1	
14	90179-16672	NUT	1	1	1	1	



5BF100-8280

FIG. 29 FRONT BRAKE CALIPER

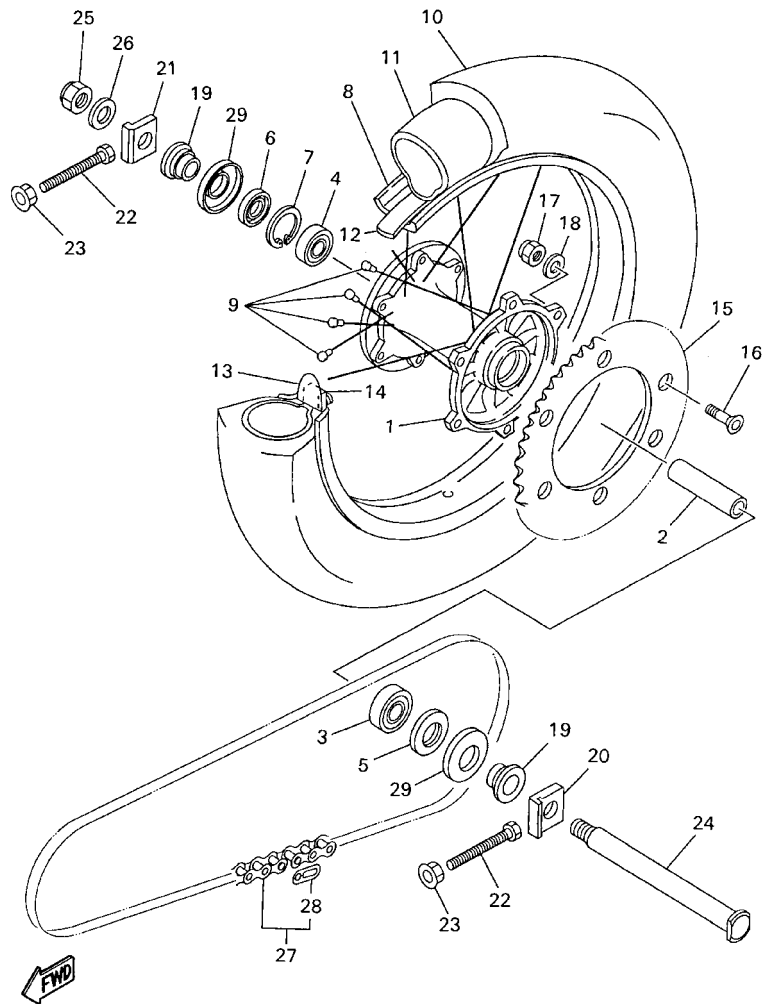


REF. NO.	PART NO.	DESCRIPTION	5NG1	5NG2	5NG4	5GS9	REMARKS
1	5MV-2581T-00	DISC BRAKE ASSY	1	1	1	1	
2	90149-06327	SCREW	6	6	6	6	
3	5MV-2580T-10	CALIPER ASSY (LEFT)	1	1	1	1	
4	4EW-W0057-00	.PISTON ASSY, CALIPER	1	1	1	1	
5	3JD-W0047-00	..CALIPER SEAL KIT	1	1	1	1	
6	5DH-25919-00	.SUPPORT, PAD	1	1	1	1	
7	1UY-W0048-50	.BLEED SCREW KIT	1	1	1	1	
8	5MV-W0045-00	.BRAKE PAD KIT	1	1	1	1	
9	5DH-25933-00	.PIN, PAD	1	1	1	1	
10	5DH-25916-00	.PLUG	1	1	1	1	
11	90105-08659	BOLT, WASHER BASED	2	2	2	2	
12	5DH-2314E-00	COVER, HOSE	1	1	1	1	
13	95827-06012	BOLT, FLANGE	1	1	1	1	
14	95027-08020	BOLT, FLANGE	1	1	1	1	
15	5DH-25875-00	HOLDER, BRAKE HOSE 1	1	1	1	1	
16	92907-08200	WASHER	1	1	1	1	



5JG5100-1290

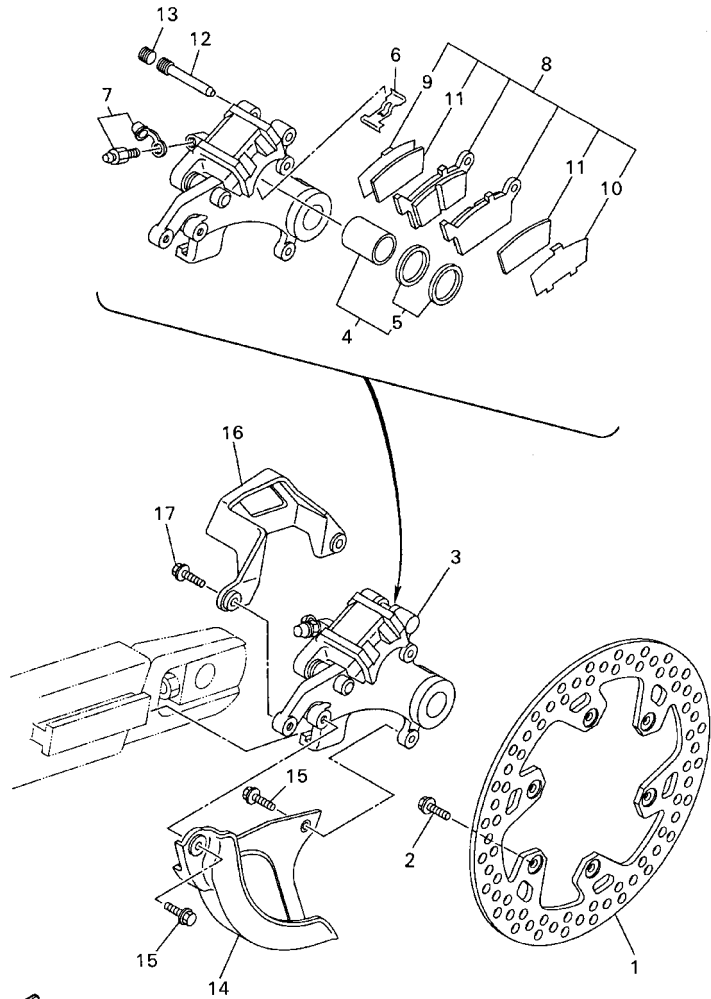
FIG. 30 REAR WHEEL



5GS1100-9300

REF. NO.	PART NO.	DESCRIPTION	5NG1	5NG2	5NG4	5GS9	REMARKS
1	5ET-25311-00	HUB, REAR	1	1	1	1	
2	5ET-25317-00	SPACER, BEARING	1	1	1	1	
3	93306-27205	BEARING	1	1	1	1	
4	93306-07202	BEARING	1	1	1	1	
5	93106-30044	OIL SEAL	1	1	1	1	
6	93106-30045	OIL SEAL	1	1	1	1	
7	99009-45500	CIRCLIP	1	1	1	1	
8	94421-18610	RIM (2.15-18)	1	1	1	1	
9	5GS-25304-00	SPOKE SET, REAR	1	1	1	1	
10	94111-18008	TIRE (110/100-18 64M D739)	1	1			DUNLOP FOR CAN, ZAF
*		TIRE (130/90-18 69R ENDURO COMPETITION 3)		1	1	1	LM MICHELIN FOR OCE
11	94212-18188	TUBE (120/90-18)	1	1			DUNLOP FOR CAN, ZAF
*		BAND, RIM (130/90-18)		1	1	1	LM MICHELIN FOR OCE
12	94309-18146	BAND, RIM (110/100-18)	1	1			DUNLOP FOR CAN, ZAF
*		BAND, RIM (2.15-18)		1	1	1	LM MICHELIN FOR OCE
13	3JE-25394-00	SPACER, BEAD	2	2	2	2	
14	4XM-25364-00	DAMPER	2	2	2	2	
15	5GS-25450-50	SPROCKET, DRIVEN (50T)	1	1	1	1	STD
	5GS-25448-50	SPROCKET, DRIVEN (48T)	1	1	1	1	AP
	5GS-25452-50	SPROCKET, DRIVEN (52T)	1	1	1	1	AP
16	90109-081G1	BOLT	6	6	6	6	
17	90185-08169	NUT, SELF-LOCKING	6	6	6	6	
18	90201-08326	WASHER, PLATE	6	6	6	6	
19	5ET-25383-00	COLLAR, WHEEL	2	2	2	2	
20	5ET-25388-00	PULLER, CHAIN 1	1	1	1	1	
21	5ET-25389-00	PULLER, CHAIN 2	1	1	1	1	
22	90101-08777	BOLT	2	2	2	2	

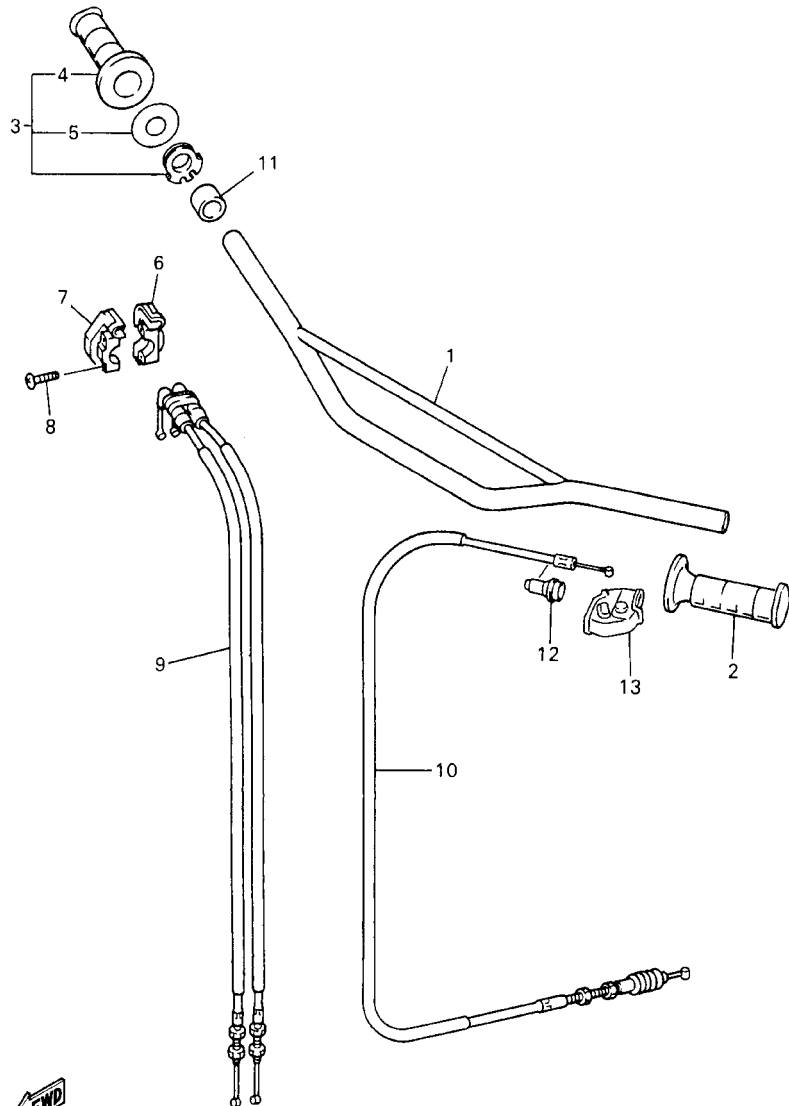
FIG. 31 REAR BRAKE CALIPER



5GS1100-9310

REF. NO.	PART NO.	DESCRIPTION	5NG1	5NG2	5NG4	5GS9	REMARKS
1	5DH-2582W-00	DISC, REAR BRAKE 2	1	1	1	1	
2	90109-065G4	BOLT	6	6	6	6	
3	5GR-2580W-00	CALIPER ASSY, REAR 2	1	1	1	1	
4	5ET-W0057-50	.PISTON ASSY, CALIPER	1	1	1	1	
5	5ET-W0047-50	..CALIPER SEAL KIT	1	1	1	1	
6	5DH-25919-50	..SUPPORT, PAD	1	1	1	1	
7	1UY-W0048-50	..BLEED SCREW KIT	1	1	1	1	
8	5GR-W0046-00	..BRAKE PAD KIT 2	1	1	1	1	
9	5DH-25828-50	..SHIM, CALIPER	1	1	1	1	
10	5DH-25827-50	..SHIM, CALIPER	1	1	1	1	
11	5GR-22898-50	..INSULATOR, HEAT	2	2	2	2	
12	8CR-25924-00	..PIN, PAD	1	1	1	1	
13	5DH-25916-00	..PLUG	1	1	1	1	
14	5DH-25718-01	PROTECTOR, DISK BRAKE	1	1	1	1	
15	95027-06012	BOLT, FLANGE	2	2	2	2	
16	4GY-27491-00	PROTECTOR	1	1	1	1	
17	95027-06016	BOLT, FLANGE	2	2	2	2	

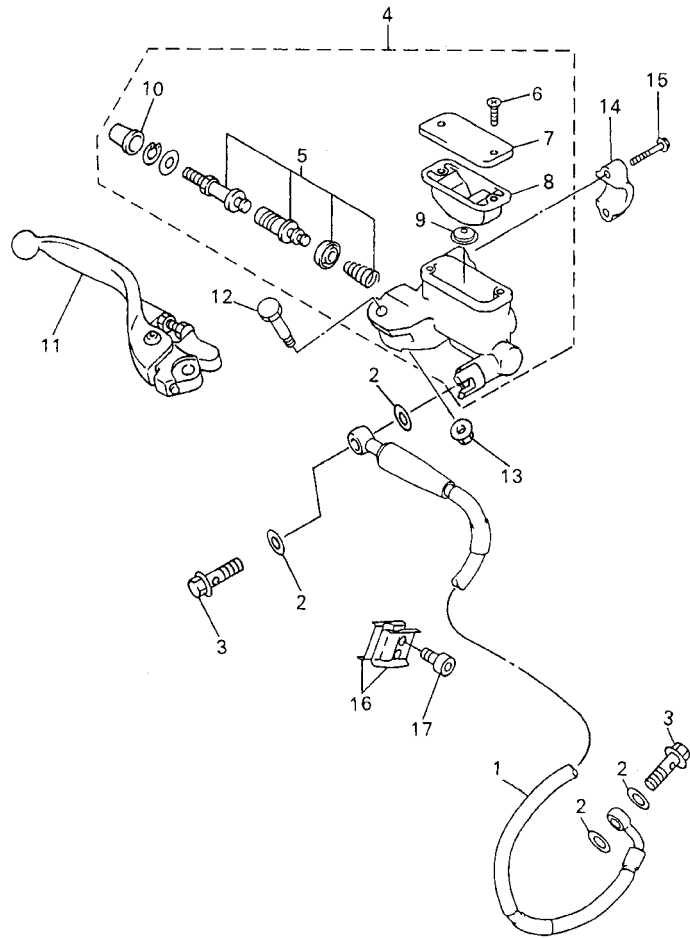
FIG. 32 STEERING HANDLE. CABLE



5NG1100-1320

REF. NO.	PART NO.	DESCRIPTION	5NG1	5NG2	5NG4	5GS9	REMARKS
1	4XM-26111-00	HANDLEBAR	1	1	1	1	
2	4GY-26241-00	GRIP (LEFT)	1	1	1	1	
3	5BE-26240-00	GRIP ASSY	1	1	1	1	
4	4GY-26242-00	.GRIP (RIGHT)	1	1	1	1	
5	3Y1-26249-00	.RING, LEAF	1	1	1	1	
6	5BE-26281-00	CAP, GRIP UPPER	1	1	1	1	
7	5BE-26282-00	CAP, GRIP LOWER	1	1	1	1	
8	98507-05020	SCREW, PAN HEAD	2	2	2	2	
9	5JG-26302-50	THROTTLE CABLE ASSY	1	1	1	1	
10	5JG-26335-00	CABLE, CLUTCH	1	1	1	1	
11	90387-225N2	COLLAR	1	1	1	1	
12	5HD-26342-00	BOOT, CABLE	1	1	1	1	
13	5MV-26372-00	COVER, HANDLE LEVER 1	1	1	1	1	

FIG. 33 FRONT MASTER CYLINDER

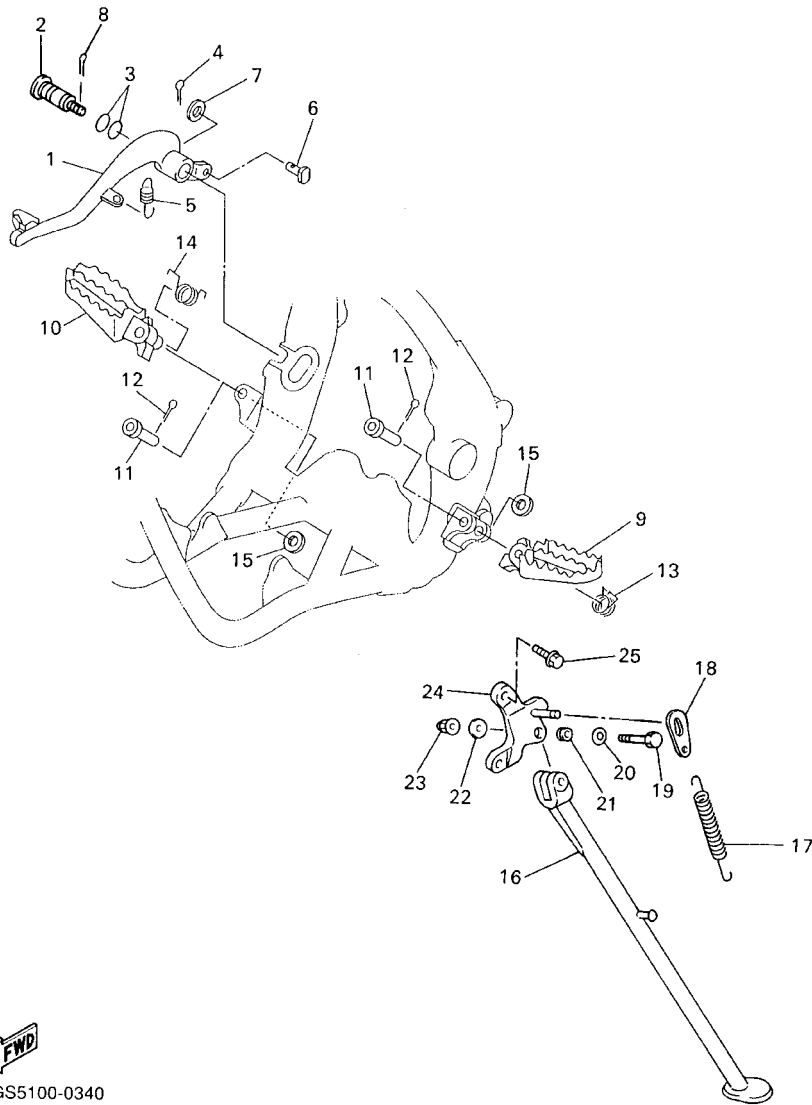


REF. NO.	PART NO.	DESCRIPTION	5NG1	5NG2	5NG4	5GS9	REMARKS
1	5GS-25872-00	HOSE, BRAKE 1	1	1	1	1	
2	90201-10118	WASHER, PLATE	4	4	4	4	
3	90401-10172	BOLT, UNION	2	2	2	2	
4	5MV-W2587-00	MASTER CYLINDER SUB ASSY	1	1	1	1	
5	5MV-W0041-00	.CYLINDER KIT, MASTER	1	1	1	1	
6	98706-04012	.SCREW, FLAT HEAD	2	2	2	2	
7	5MV-25852-00	.CAP, RESERVOIR	1	1	1	1	
8	56A-25854-00	.DIAPHRAGM, RESERVOIR	1	1	1	1	
9	8CR-25715-00	.SEPARATOR ASSY	1	1	1	1	
10	5G2-25868-00	.BOOT, MASTER CYLINDER	1	1	1	1	
11	5MV-83922-00	LEVER 2	1	1	1	1	
12	5MV-2589F-00	BOLT, LEVER	1	1	1	1	
13	95701-06500	NUT, FLANGE	1	1	1	1	
14	5MV-25867-00	BRACKET, MASTER CYLINDER	1	1	1	1	
15	5MV-25833-00	BOLT, FITTING	2	2	2	2	
16	90465-16258	CLAMP	2	2	2	2	
17	91317-06014	BOLT	2	2	2	2	



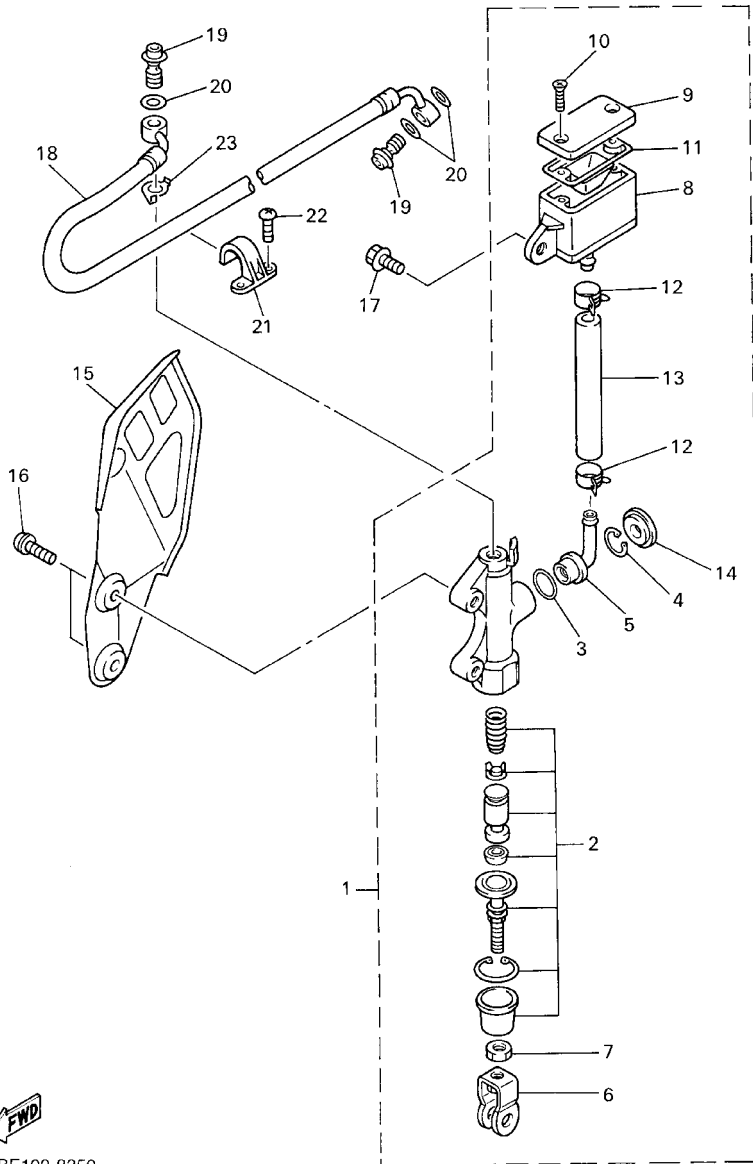
5NG1100-1330

FIG. 34 STAND, FOOTREST



REF. NO.	PART NO.	DESCRIPTION	5NG1	5NG2	5NG4	5GS9	REMARKS
1	4XM-27200-00	PEDAL, BRAKE	1	1	1	1	
2	5JG-27217-00	BOLT	1	1	1	1	
3	93210-11073	O-RING	2	2	2	2	
4	91401-20012	PIN, COTTER	1	1	1	1	
5	90506-16500	SPRING, TENSION	1	1	1	1	
6	90240-08120	PIN, CLEVIS	1	1	1	1	
7	90201-08089	WASHER, PLATE	1	1	1	1	
8	90468-16191	CLIP	1	1	1	1	
9	5ET-27411-00	FOOTREST 1	1	1	1	1	
10	5ET-27421-00	FOOTREST 2	1	1	1	1	
11	90240-10142	PIN, CLEVIS	2	2	2	2	
12	91401-25015	PIN, COTTER	2	2	2	2	
13	90508-282B8	SPRING, TORSION	1	1	1	1	
14	90508-282B9	SPRING, TORSION	1	1	1	1	
15	90201-10119	WASHER, PLATE	2	2	2	2	
16	5BF-27311-00	STAND, SIDE	1	1	1	1	
17	90506-35473	SPRING, TENSION	1	1	1	1	
18	5GS-27315-50	LINK, SIDE STAND	1	1	1	1	
19	90101-10738	BOLT	1	1	1	1	
20	90201-112U6	WASHER, PLATE	1	1	1	1	
21	90387-1003G	COLLAR	1	1	1	1	
22	92990-10200	WASHER, PLAIN	1	1	1	1	
23	95617-10100	NUT, U	1	1	1	1	
24	5GS-21458-50	BRACKET, SIDE STAND	1	1	1	1	
25	95027-10020	BOLT, FLANGE	2	2	2	2	

FIG. 35 REAR MASTER CYLINDER

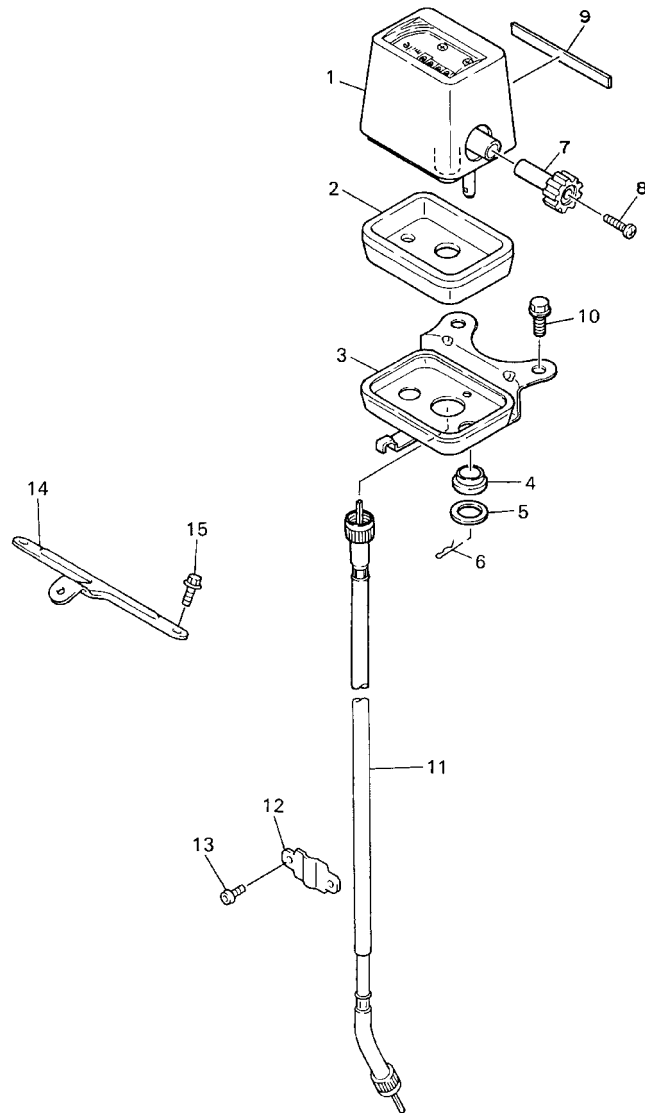


REF. NO.	PART NO.	DESCRIPTION	5NG1	5NG2	5NG4	5GS9	REMARKS
1	5JG-2583V-00	RR. MASTER CYLINDER ASSY.	1	1	1	1	
2	4SS-W0042-50	.CYLINDER KIT, MASTER	1	1	1	1	
3	93210-15620	.O-RING	1	1	1	1	
4	2VN-25866-00	.CIRCLIP	1	1	1	1	
5	4ML-2582A-50	.JOINT	1	1	1	1	
6	3SP-27222-00	.JOINT	1	1	1	1	
7	95301-08700	.NUT	2	2	2	2	
8	5BE-25894-00	.TANK, RESERVOIR	1	1	1	1	
9	5BE-25852-00	.CAP, RESERVOIR	1	1	1	1	
10	98706-04040	.SCREW, FLAT HEAD	2	2	2	2	
11	56A-25854-00	.DIAPHRAGM, RESERVOIR	1	1	1	1	
12	90467-12085	.CLIP	2	2	2	2	
13	5BE-25895-00	.HOSE, RESERVOIR	1	1	1	1	
14	3FV-2589A-00	.COVER, DUST	1	1	1	1	
15	5BE-2117M-01	COVER 2	1	1	1	1	
16	92014-06016	BOLT, BUTTON HEAD	2	2	2	2	
17	90105-06553	BOLT, WASHER BASED	1	1	1	1	
18	5MV-25873-00	HOSE, BRAKE 2	1	1	1	1	
19	90401-10172	BOLT, UNION	2	2	2	2	
20	90201-10118	WASHER, PLATE	3	3	3	3	
21	2VM-25876-00	HOLDER, BRAKE HOSE 2	2	2	2	2	
22	97780-50510	SCREW, TAPPING	4	4	4	4	
23	5BE-25844-01	WASHER, LOCK	1	1	1	1	



5BE100-8350

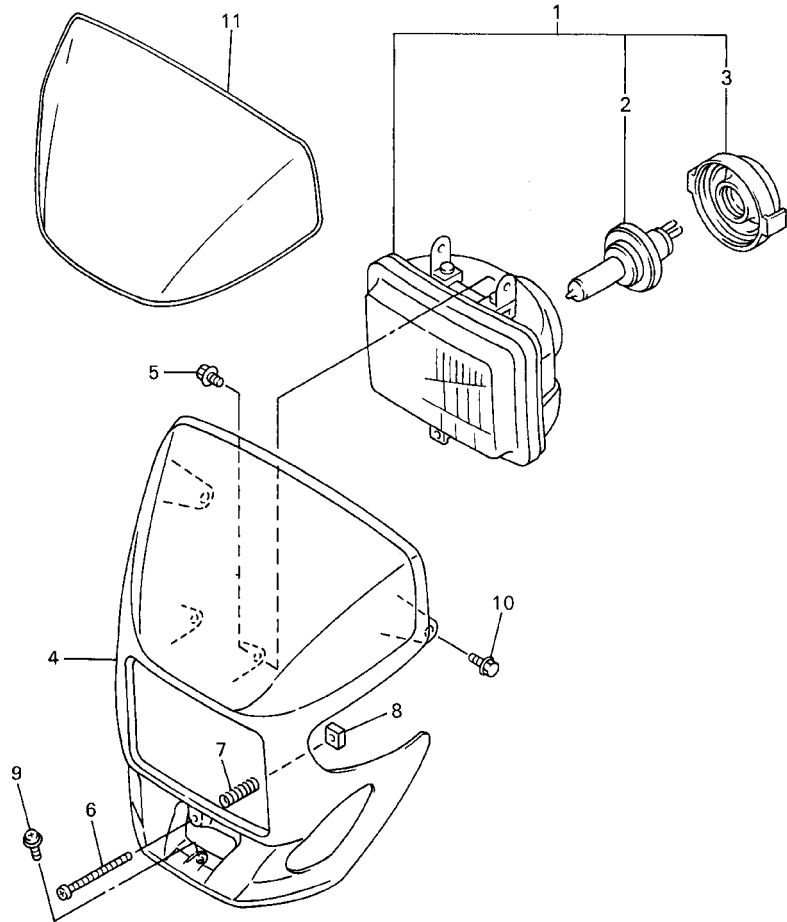
FIG. 37 METER



FWD
5BF100-8370

REF. NO.	PART NO.	DESCRIPTION	5NG1	5NG2	5NG4	5GS9	REMARKS
1	2HR-83505-G0	TRIP METER COMP.	1	1		1	MILE(FOR GBR)
	2HR-83505-F0	TRIP METER COMP.		1	1	1	KM
2	4V5-83513-00	DAMPER	1	1	1	1	
3	5NG-83519-00	BRACKET, METER	1	1	1	1	
4	1M1-83526-00	DAMPER 2	2	2	2	2	
5	90201-05033	WASHER, PLATE	2	2	2	2	
6	437-83525-00	CLIP	2	2	2	2	
7	11H-83578-00	KNOB, TRIP METER	1	1	1	1	
8	90157-02031	SCREW, PAN HEAD	1	1	1	1	
9	2HR-83592-00	DAMPER	1	1	1	1	
10	95027-06010	BOLT, FLANGE	2	2	2	2	
11	5BF-83550-00	SPEEDOMETER CABLE ASSY	1	1	1	1	
12	5BF-2317M-00	STAY 3	1	1	1	1	
13	92017-05008	BOLT, BUTTON HEAD	2	2	2	2	
14	5BF-84319-00	STAY, HEADLIGHT 2	1	1	1	1	
15	95027-06010	BOLT, FLANGE	2	2	2	2	

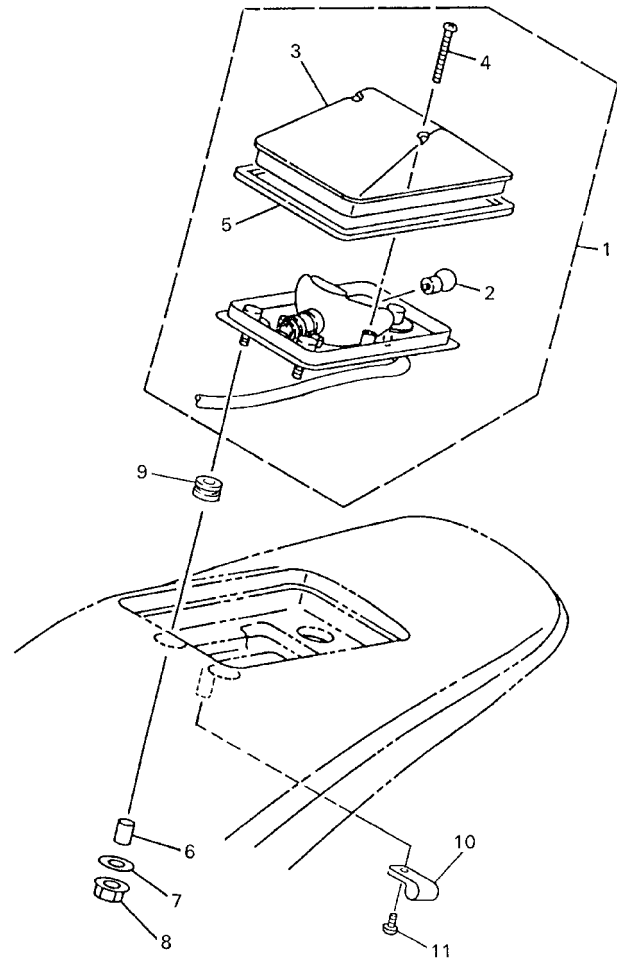
FIG. 38 HEADLIGHT



5NG1100-1380

REF. NO.	PART NO.	DESCRIPTION	5NG1	5NG2	5NG4	5GS9	REMARKS
1	5BF-84310-00	HEADLIGHT UNIT ASSY	1	1	1	1	
2	8G9-84314-00	.BULB (12V-60/55W)	1	1	1	1	(H4)HALOGEN
3	5BF-84397-00	.COVER, SOCKET	1	1	1	1	
4	5BF-84330-00	BODY ASSY	1	1	1	1	
5	55U-84337-00	BOLT, SPECIAL	2	2	2	2	
6	5BF-8433E-00	SCREW, ADJUSTING	1	1	1	1	
7	5BF-84335-00	SPRING	1	1	1	1	
8	5BF-84334-00	NUT, ADJUSTING	1	1	1	1	
9	90159-06189	SCREW, WITH WASHER	1	1	1	1	
10	95827-06010	BOLT, FLANGE	2	2	2	2	
11	5BF-2339E-00	GRAPHIC 1	1	1	1	1	

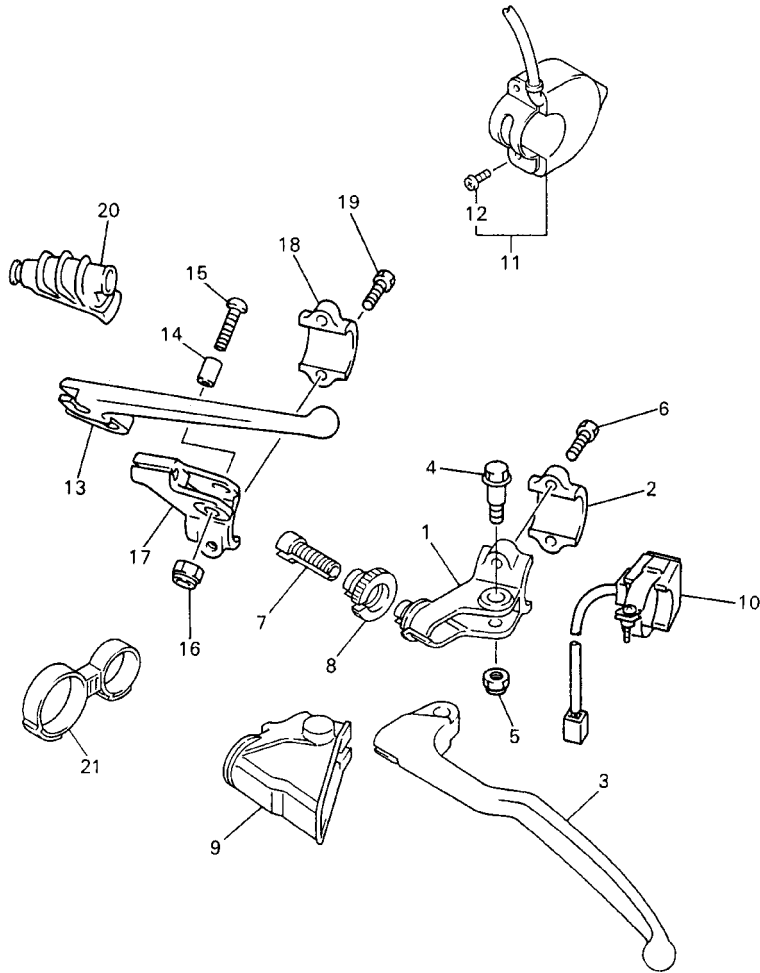
FIG. 39 TAILLIGHT



5BF100-8390

REF. NO.	PART NO.	DESCRIPTION	5NG1	5NG2	5NG4	5GS9	REMARKS
1	5BF-84710-00	TAILLIGHT UNIT ASSY	1	1	1	1	
2	36Y-84714-40	.BULB, TAILLIGHT (12V-21/5W)	1	1	1	1	
3	4GY-84733-00	.LENS, TAILLIGHT	1	1	1	1	
4	97706-40530	.SCREW, TAPPING	2	2	2	2	
5	4GY-84723-00	.GASKET, TAIL LENS	1	1	1	1	
6	90387-065L5	COLLAR	3	3	3	3	
7	90201-06057	WASHER, PLATE	3	3	3	3	
8	95707-06500	NUT, FLANGE	3	3	3	3	
9	90480-14102	GROMMET	3	3	3	3	
10	90461-11099	CLAMP	2	2	2	2	
11	97780-40010	SCREW, TAPPING	2	2	2	2	

FIG. 40 HANDLE SWITCH. LEVER

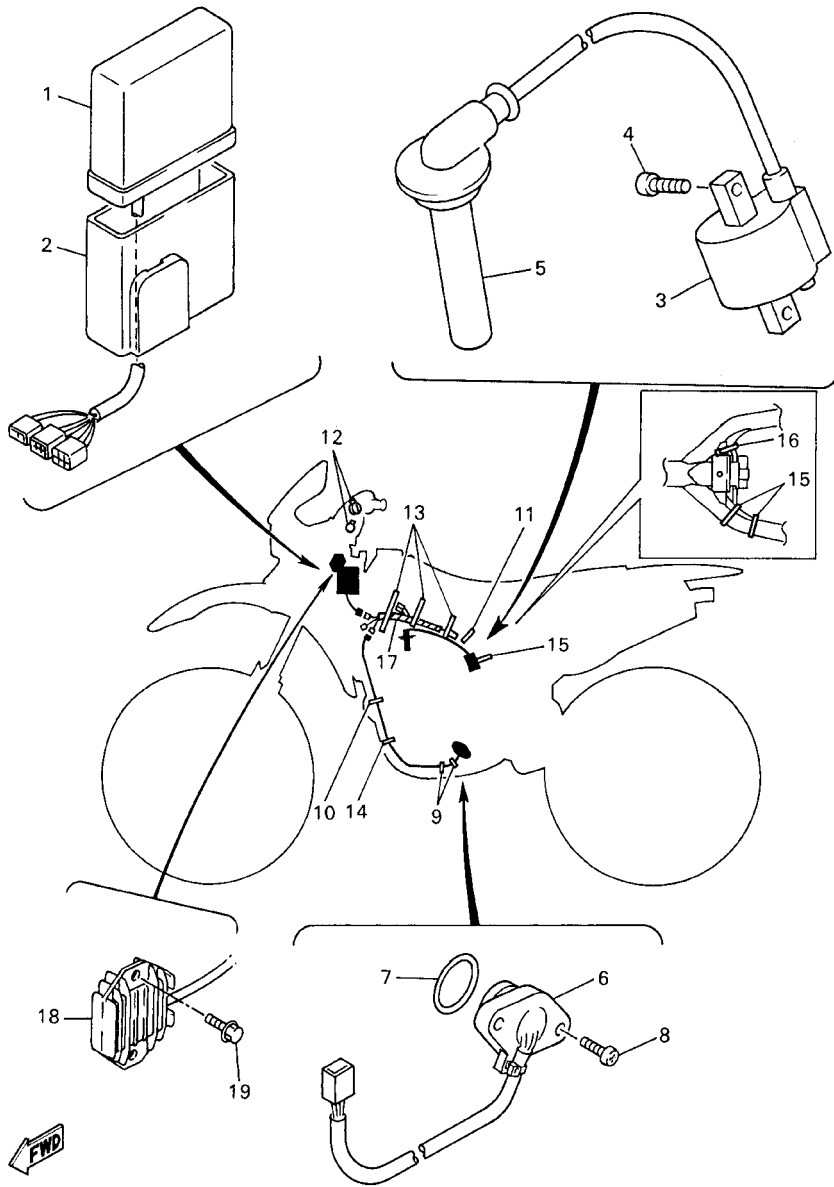


REF. NO.	PART NO.	DESCRIPTION	5NG1	5NG2	5NG4	5GS9	REMARKS
1	5HD-82911-00	HOLDER, LEVER 1	1	1	1	1	
2	38V-82913-00	HOLDER, LEVER LOWER 1	1	1	1	1	
3	5MV-83912-00	LEVER 1	1	1	1	1	
4	90109-06027	BOLT	1	1	1	1	
5	95607-06100	NUT, U	1	1	1	1	
6	97007-05016	BOLT	2	2	2	2	
7	5HD-26337-00	BOLT, ADJUSTING	1	1	1	1	
8	5HD-83951-00	BOLT, CABLE ADJUSTING	1	1	1	1	
9	5HD-26372-00	COVER, HANDLE LEVER 1	1	1	1	1	
10	23X-83976-00	SWITCH, HANDLE 1	1	1	1	1	
11	5BF-83976-00	SWITCH, HANDLE 1	1	1	1	1	
12	98507-04014	.SCREW, PAN HEAD	2	2	2	2	
13	583-83981-00	LEVER, DECOMPRESSION	1	1	1	1	
14	5BE-83913-00	COLLAR, LEVER 1	1	1	1	1	
15	98907-05020	SCREW, BIND	1	1	1	1	
16	95607-05100	NUT, U	1	1	1	1	
17	5BE-82912-00	HOLDER, LEVER UPPER 1	1	1	1	1	
18	38V-82913-00	HOLDER, LEVER LOWER 1	1	1	1	1	
19	97007-05016	BOLT	2	2	2	2	
20	583-26352-00	COVER, DECOMPRESSION CABLE	1	1	1	1	
21	90464-29223	CLAMP	1	1	1		



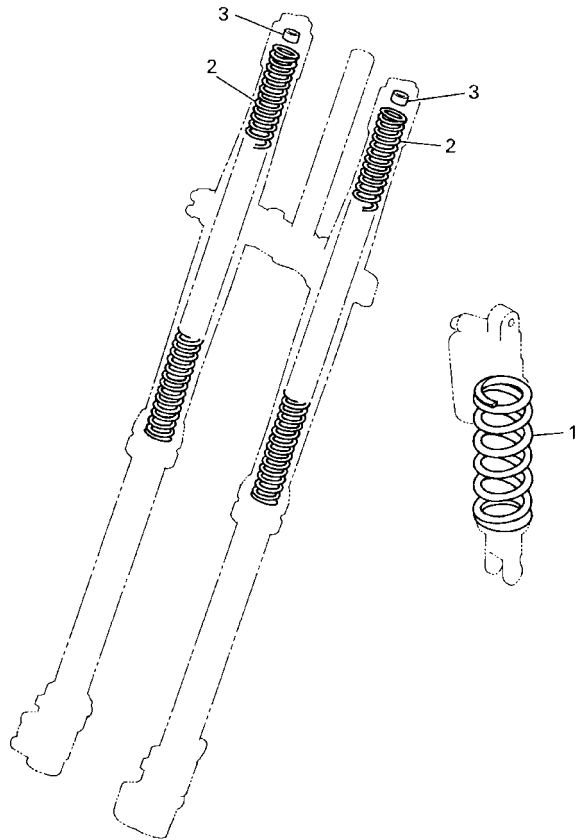
5NG1100-1400

FIG. 41 ELECTRICAL 1



REF. NO.	PART NO.	DESCRIPTION	5NG1	5NG2	5NG4	5GS9	REMARKS
1	5NG-85540-00	C.D.I. UNIT ASSY	1				
	5NG-85540-10	C.D.I. UNIT ASSY		1	1		
	5GS-85540-60	C.D.I. UNIT ASSY				1	
2	5BE-85546-00	BAND	1	1	1	1	
3	5BE-82310-00	IGNITION COIL ASSY	1	1	1	1	
4	91317-06016	BOLT	2	2	2	2	
5	5BE-82370-00	PLUG CAP ASSY	1	1	1	1	
6	5BE-82540-01	NEUTRAL SWITCH ASSY	1	1	1	1	
7	93210-21276	O-RING	1	1	1	1	
8	90154-05073	SCREW, BINDING	2	2	2	2	
9	90464-16061	CLAMP	2	2	2	2	
10	90464-13073	CLAMP	1	1	1	1	
11	90464-15195	CLAMP	1	1	1	1	
12	90464-13077	CLAMP	2	2	2	2	
13	90464-15152	CLAMP	3	3	3	3	
14	90464-13073	CLAMP	1	1	1	1	
15	90464-15195	CLAMP	2	2	2	2	
16	90465-13152	CLAMP	1	1	1	1	
17	5NG-82509-00	WIRE, SUB LEAD	1				
18	5GS-81910-50	VOLTAGE REGULATOR ASSY	1	1	1	1	
	5NG-82509-10	WIRE, SUB LEAD		1	1	1	
19	95827-06020	BOLT, FLANGE	2	2	2	2	

FIG. 42 ALTERNATE (CHASSIS)

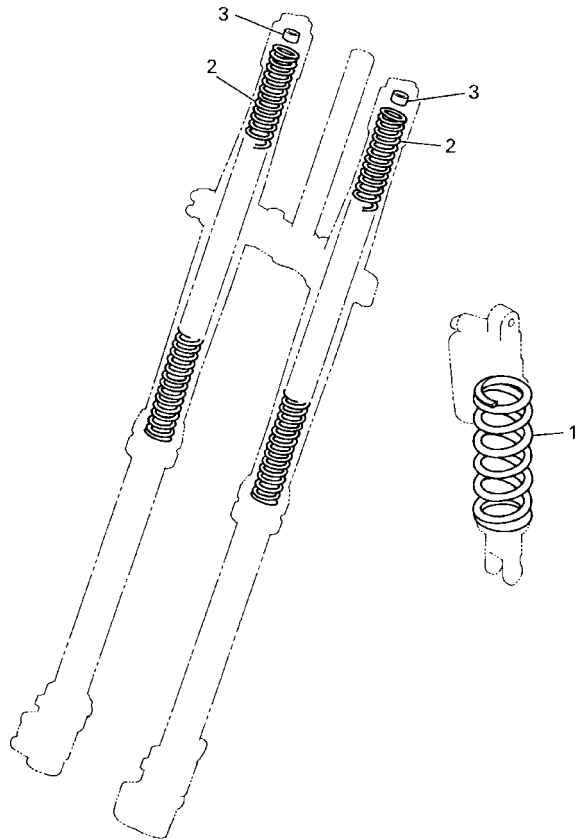


REF. NO.	PART NO.	DESCRIPTION	5NG1	5NG2	5NG4	5GS9	REMARKS
1	5DH-22212-70	SPRING (K=4.4)	1	1	1	1	AP
	5DH-22212-10	SPRING (K=4.6)	1	1	1	1	AP
	5DH-22212-20	SPRING (K=4.8)	1	1	1	1	AP
	5DH-22212-30	SPRING (K=5.0)	1	1	1	1	AP
	5DH-22212-40	SPRING (K=5.2)	1	1	1	1	AP
	5DH-22212-50	SPRING (K=5.4)	1	1	1	1	AP
	5DH-22212-60	SPRING (K=5.6)	1	1	1	1	AP
	5ET-22212-20	SPRING (K=APPROX.4.6)	1	1	1	1	AP
	5ET-22212-00	SPRING (K=APPROX.4.8)	1	1	1	1	AP
	5ET-22212-10	SPRING (K=APPROX.5.0)	1	1	1	1	AP
	5ET-22212-30	SPRING (K=APPROX.5.2)	1	1	1	1	AP
	5ET-22212-40	SPRING (K=APPROX.5.4)	1	1	1	1	AP
	5ET-22212-50	SPRING (K=APPROX.5.6)	1	1	1	1	AP
2	4SS-23141-10	SPRING, FRONT FORK (K=0.38)	2	2	2	2	AP
	4SS-23141-20	SPRING, FRONT FORK (K=0.39)	2	2	2	2	AP
	4SS-23141-30	SPRING, FRONT FORK (K=0.40)	2	2	2	2	AP
	4SS-23141-40	SPRING, FRONT FORK (K=0.41)	2	2	2	2	AP
	4SS-23141-50	SPRING, FRONT FORK (K=0.42)	2	2	2	2	AP
	4SS-23141-60	SPRING, FRONT FORK (K=0.43)	2	2	2	2	AP
	4SS-23141-70	SPRING, FRONT FORK (K=0.44)	2	2	2	2	AP
	5BE-23141-L0	SPRING, FRONT FORK (K=0.45)	2	2	2	2	AP
	5BE-23141-00	SPRING, FRONT FORK (K=0.46)	2	2	2	2	AP
	5GR-23141-00	SPRING, FRONT FORK (K=0.47)	2	2	2	2	AP
	5ET-23141-20	SPRING (K=APPROX.0.40)	2	2	2	2	AP
	5ET-23141-00	SPRING (K=APPROX.0.41)	2	2	2	2	AP
	5ET-23141-30	SPRING (K=APPROX.0.42)	2	2	2	2	AP
	5ET-23141-10	SPRING (K=APPROX.0.43)	2	2	2	2	AP



5BE100-8390

FIG. 42 ALTERNATE (CHASSIS)



REF. NO.	PART NO.	DESCRIPTION	5NG1	5NG2	5NG4	5GS9	REMARKS
2	5ET-23141-40	SPRING (K=APPROX.0.44)	2	2	2	2	AP
3	4SS-23364-L0	COLLAR 2	2	2	2	2	UN

 5BE100-8390

NUMERICAL INDEX

PART NO.	GRID NO.	PART NO.	GRID NO.	PART NO.	GRID NO.	PART NO.	GRID NO.	PART NO.	GRID NO.	PART NO.	GRID NO.
5MV-W0041-00	E - 9	4GY-12117-00	B - 5	5BE-12439-00	B - 8	5JG-14346-00	C - 4	5GS-14916-RP	B - 15	5GS-14958-00	C - 4
4SS-W0042-50	E - 11	5BE-12117-00	B - 5	5DJ-12451-00	B - 8	5JG-14371-00	C - 3	5GS-14916-RR	B - 15	5JG-14959-00	B - 15
5MV-W0045-00	E - 4	1AA-12118-00	B - 5	5GR-12458-00	B - 8	5JG-14379-00	C - 3		C - 2	5JG-14984-00	C - 3
5GR-W0046-00	E - 7	1WG-12118-00	B - 5	5JG-12461-00	B - 9	5JG-14388-00	B - 15	5GS-14916-RS	B - 15	4SR-14985-00	C - 3
3JD-W0047-00	E - 4	33M-12119-00	B - 5	5HD-12462-00	B - 9	5JG-1440F-01	B - 13	5GS-14916-RT	B - 15	5JG-14987-00	C - 4
5ET-W0047-50	E - 7	4SV-12119-00	B - 5	5BE-12481-10	B - 9	5JG-14401-00	B - 13	5GS-14916-RU	B - 15	4FN-14997-00	B - 15
1UY-W0048-50	E - 4	5JG-12121-00	B - 5	5BE-12482-00	B - 9	5BE-1441A-10	B - 14	5GS-14916-R1	B - 15	5BE-15150-03	C - 6
	E - 7	3GM-12126-00	B - 5	5BE-12564-00	B - 8	5BF-1441A-10	B - 13	5GS-14916-1N	B - 15	5BE-15362-00	D - 2
4EW-W0057-00	E - 4	3FV-12153-00	B - 6	5BE-12576-00	B - 9	5BE-1441E-10	B - 14	5GS-14916-1P	B - 15	4JT-15381-01	C - 6
5ET-W0057-50	E - 7	3FV-12153-10	B - 6	5BE-12577-01	B - 9	5JG-14417-00	B - 14	5GS-14916-1R	B - 15	5BE-15383-01	C - 6
5MV-W2587-00	E - 9	3FV-12153-20	B - 6	5BE-12578-00	B - 9	5JG-14428-00	B - 13	5GS-14916-1S	C - 2	5BE-15411-00	C - 7
5BE-11102-40	B - 2	3LD-12168-A0	B - 5	5BE-12579-02	B - 9	5BF-1443E-00	B - 14	5GS-14916-1T	C - 2	5JG-15415-00	C - 7
5JG-11102-10	B - 2	3LD-12168-F0	B - 5	583-13113-00	C - 7	5BF-14437-00	B - 13	5GS-14916-1U	B - 15	5BE-15421-00	C - 6
4KG-1111G-00	B - 2	3LD-12168-H1	B - 5	5BE-13161-01	B - 12	5BE-14449-00	C - 4	5GS-14916-11	B - 15	5JG-15431-00	C - 7
5BE-11133-10	B - 2	3LD-12168-K1	B - 5	5BE-13171-01	B - 12	4XM-14451-00	B - 13	5JG-14922-00	C - 3	5BE-15441-00	C - 6
5BE-11134-10	B - 2	3LD-12168-M1	B - 5	5BE-13300-10	B - 10	5BF-14452-00	B - 13	5GS-14933-00	C - 4	5JG-15441-01	C - 6
5BE-11166-00	B - 2	3LD-12168-R1	B - 5	1HX-13310-10	B - 10	5JG-14453-00	B - 13	5GS-14933-40	C - 3	5BE-15451-00	C - 7
371-11167-01	B - 2	3LD-12168-U1	B - 5	5BE-13341-00	B - 10	5BF-14457-00	B - 13	4FN-14934-00	C - 3	5JG-15453-00	C - 7
5BE-11167-00	B - 2	3LD-12168-W1	B - 5	5BE-13342-00	B - 10	5BE-14458-00	B - 13	3TJ-1494F-10	C - 2	5BE-15462-00	C - 7
5GR-11181-00	B - 2	3LD-12168-Y1	B - 5	5BE-13411-00	B - 10	3JD-14459-01	B - 13	3TJ-1494F-11	C - 3	5GR-15601-00	C - 8
5JG-11181-00	B - 2	3LD-12168-00	B - 5	5BE-13412-00	B - 10	5MV-14477-00	B - 13	3TJ-1494F-12	C - 3	5BE-15620-02	C - 8
5BE-11191-00	B - 2	3LD-12168-20	B - 5	5BE-13416-00	B - 10	5BF-14493-00	B - 13	3TJ-1494F-13	C - 2	3SP-15621-02	C - 8
5BE-11193-10	B - 3	3LD-12168-40	B - 5	1UY-13440-02	B - 12	5JG-14521-00	C - 2	3TJ-1494F-14	C - 3	5BE-15651-00	C - 8
5BE-11311-10	B - 3	3LD-12168-60	B - 5	5BE-13447-00	B - 12	5JG-14522-00	B - 15	3TJ-1494F-15	C - 3	5GR-15664-00	C - 8
5JG-11311-00	B - 3	3LD-12168-80	B - 5	5BE-13464-10	B - 10	5JG-14531-00	C - 4	5GS-14940-00	C - 4	5BE-15668-00	C - 8
5BE-11351-00	B - 3	3LD-12169-E0	B - 6	5BE-13465-10	B - 10	3TJ-14536-40	C - 3	5JG-14940-17	C - 3	5BE-15674-00	C - 8
5JG-11387-00	B - 3	3LD-12169-G0	B - 6	5JG-13597-00	B - 13	5JG-14546-01	B - 15	5JG-14940-18	C - 3	5BE-15686-01	C - 8
5GS-11400-10	B - 4	3LD-12169-J0	B - 6	5GS-14101-61	B - 15	676-14548-00	C - 3	5JG-14940-19	C - 3	5JG-16111-00	C - 9
5JG-11400-10	B - 4	3LD-12169-L0	B - 6	5NG-14101-00	B - 15	4YR-14557-00	C - 4	3TJ-14943-47	C - 2	5BE-16150-00	C - 9
5JG-11412-10	B - 4	3LD-12169-N0	B - 6	5NG-14101-10	B - 15	4FN-14561-00	B - 13	4MX-14943-38	C - 2	5JG-16150-10	C - 9
5JG-11422-10	B - 4	3LD-12169-T0	B - 6	3TJ-14105-40	C - 3	4MX-14561-00	C - 4	4MX-14943-39	C - 2	2JN-16154-00	C - 9
5BE-11454-00	B - 4	3LD-12169-11	B - 5	5BE-14107-00	C - 3	6H4-14561-00	C - 3	4MX-14943-40	C - 2	3XK-16321-00	C - 9
5BE-11455-00	B - 4	3LD-12169-31	B - 6	4MX-14115-00	C - 4	5BE-14562-00	C - 4	4MX-14943-41	C - 2	5BE-16321-00	C - 9
5BE-11531-00	B - 4	3LD-12169-50	B - 6	3TJ-14137-40	C - 4	5JG-14565-00	C - 4	4MX-14943-42	C - 2	5JG-16321-00	C - 9
5JG-11536-00	B - 4	3LD-12169-70	B - 6	5BE-14146-00	C - 4	5GS-14591-00	C - 4	4MX-14943-89	C - 2	360-16325-00	C - 9
5BE-11603-00	B - 4	3LD-12169-90	B - 6	3TJ-14159-40	C - 2	5JG-14591-00	C - 4	4MX-14943-90	C - 2	5JG-16325-00	C - 9
5JG-11603-00	B - 4	5BF-12170-10	B - 7	5NG-14169-00	B - 13	5BE-14611-00	C - 5	4MX-14943-91	C - 2	5BE-16331-00	C - 9
5GR-11631-00	B - 4	5BF-12180-01	B - 7	5JG-14171-00	C - 3	5JG-14611-00	C - 5	4MX-14943-92	C - 2	3YF-16351-00	C - 9
5NG-11631-00	B - 4	5BE-12210-00	B - 7	5JG-14196-00	C - 4	3VD-14613-00	C - 5	4MX-14943-93	C - 2	5JG-16351-00	C - 9
5GR-11633-01	B - 4	4FM-12213-00	B - 7	5JG-14197-00	C - 4	5BE-14628-00	C - 5	7A9-14943-11	C - 3	5BE-16356-00	C - 9
5JG-11633-00	B - 4	5BE-12241-00	B - 7	4YR-14216-00	C - 4	5JG-14628-00	C - 5	7A9-14943-17	C - 3	5JG-16356-00	C - 9
5BE-11651-10	B - 4	5BE-12251-10	B - 7	5BE-14216-00	C - 3	5NG-14710-00	C - 5	5JG-14947-00	C - 2	5BE-16357-00	C - 9
5JG-11651-00	B - 4	5BE-12252-00	B - 7	5JG-14264-00	C - 2	5NG-14710-10	C - 5	4MX-14948-02	C - 2	5JG-16357-10	C - 10
5BE-11681-00	B - 4	5BE-12280-10	B - 7	3TJ-14267-40	B - 15	3GW-14714-00	C - 5	4MX-14948-03	C - 2	2JN-16371-00	C - 9
5JG-12111-00	B - 5	5BE-12283-00	B - 7	5JG-14275-00	C - 2	4BD-14766-00	C - 5	4MX-14948-04	C - 2	5JG-16371-10	C - 9
5JG-12112-00	B - 5	5BE-12292-10	B - 7	3TJ-14293-40	C - 3	5BE-14788-00	C - 5	4MX-14948-05	C - 2	5BE-16381-00	C - 10
5JG-12113-00	B - 5	5JG-1240A-00	B - 9	5JG-14293-01	B - 13	5GS-14916-RM	C - 2	4MX-14948-06	C - 2	5JG-16381-00	C - 10
5JG-12114-00	B - 5	5BE-12422-10	B - 8	3TJ-14325-40	C - 3	5GS-14916-RN	B - 15	5JG-14951-00	B - 15	5JG-16383-00	C - 9

NUMERICAL INDEX

PART NO.	GRID NO.	PART NO.	GRID NO.	PART NO.	GRID NO.	PART NO.	GRID NO.	PART NO.	GRID NO.	PART NO.	GRID NO.
4JT-16384-00	C - 10	3FY-21575-01	D - 4	5DH-22212-40	F - 4	4SS-23141-40	F - 4	5MV-23346-L0	D - 12	5ET-25389-00	E - 5
5JG-16384-00	C - 9	5BF-21611-00	D - 3	5DH-22212-50	F - 4	4SS-23141-50	F - 4	3SP-23356-L0	D - 13	2J5-25394-01	E - 3
5BF-17121-00	C - 11	5GS-2163G-00	D - 3	5DH-22212-60	F - 4	4SS-23141-60	F - 4	4SS-23364-L0	F - 5	3JE-25394-00	E - 5
5BF-17131-20	C - 11	5NG-2163G-00	D - 3	5DH-22212-70	F - 4	4SS-23141-70	F - 4	4DA-23389-00	D - 10	5GS-25448-50	E - 5
5BF-17141-20	C - 11	5BE-21642-00	D - 3	5ET-22212-00	F - 4	5BE-23141-L0	F - 4	4GY-23389-00	D - 10	5GS-25450-50	E - 5
5BF-17151-00	C - 11	5BF-21711-00	D - 4	5ET-22212-10	F - 4	5BE-23141-00	F - 4	5BF-2339E-00	E - 14	5GS-25452-50	E - 5
5BF-17211-00	C - 11	5JG-2172A-00	D - 4	5ET-22212-20	F - 4	5ET-23141-00	F - 4	5HD-23393-L0	D - 11	8CR-25715-00	E - 9
5BF-17221-00	C - 11	5BF-21721-00	D - 4	5ET-22212-30	F - 4	5ET-23141-10	F - 4		D - 12	5DH-25718-01	E - 7
5BF-17231-00	C - 11	5JG-2173E-50	D - 4	5ET-22212-40	F - 4	5ET-23141-20	F - 4	4EW-23416-00	D - 10	5MV-2580T-10	E - 4
5BF-17241-00	C - 11	5JG-2173F-50	D - 4	5ET-22212-50	F - 4	5ET-23141-30	F - 4	5GS-23435-50	D - 10	5GR-2580W-00	E - 7
5BF-17251-00	C - 11	5JG-21731-01	D - 4	3SP-22213-00	D - 8	5ET-23141-40	F - 5	3SP-23441-00	D - 10	5MV-2581T-00	E - 4
5BF-17411-10	C - 11	5NL-21731-00	D - 4	5DH-22214-00	D - 8	5GR-23141-L0	D - 11	5GS-24110-00	D - 14	4ML-2582A-50	E - 11
5BE-17421-00	C - 11	5BF-2174A-00	D - 4	5MV-22224-00	D - 8	5GR-23141-00	F - 4	5JG-24110-50	D - 14	5DH-2582W-00	E - 7
5NG-17460-00	C - 12	5JG-21741-01	D - 4	4JX-22226-00	D - 8	5DH-23142-L0	D - 11	4EW-2412F-00	D - 14	5DH-25827-50	E - 7
5BE-17466-10	C - 6	5NL-21741-00	D - 4	3SP-22234-00	D - 8		D - 12	24X-24144-00	D - 14	5DH-25828-50	E - 7
4LO-17471-00	C - 6	3JD-21748-00	D - 3	5DH-22253-00	D - 8	5HD-23144-L0	D - 11	3SP-24173-00	D - 14	5JG-2583V-00	E - 11
5GR-17471-00	C - 12	5MV-2175C-00	D - 4	5MV-22253-00	D - 8		D - 12	22W-24181-00	C - 5	5MV-25833-00	E - 9
3XK-18101-02	C - 14	5BE-21756-00	C - 15	5ET-22355-00	D - 6	5ET-23145-L0	D - 11	3GD-24181-00	B - 9	5BE-25844-01	E - 11
5BE-18110-00	C - 14	5JG-21781-50	D - 4	3V6-22358-00	D - 15		D - 12	4SS-24181-00	D - 14	5BE-25852-00	E - 11
5LP-18122-00	C - 14	5BF-21823-00	D - 5	4EW-22474-00	D - 8		D - 12	5BE-24182-00	D - 15	5MV-25852-00	E - 9
3XK-18140-00	C - 13	5GS-21871-00	D - 4	3JE-22475-00	D - 8	4SS-23146-L0	D - 11	3JD-24186-00	D - 14	56A-25854-00	E - 11
5BE-18172-00	C - 14	26H-21874-00	D - 4	5MV-22475-00	D - 8		D - 12	5JG-24240-50	D - 15		E - 9
3XJ-18173-00	C - 14	26H-21875-00	D - 4	5GR-22898-50	E - 7	5DH-23149-L0	D - 11	5NG-24240-00	D - 15	2VN-25866-00	E - 11
3XJ-18178-00	C - 14	5MV-22110-00	D - 6	5NG-23102-00	D - 11		D - 12	3XJ-24380-00	D - 14	5MV-25867-00	E - 9
3XJ-18182-00	C - 14	4XM-22128-00	D - 6	5NG-23102-10	D - 11	4SS-23153-L0	D - 11	2GU-24500-01	D - 14	5G2-25868-00	E - 9
3XJ-18184-00	C - 14	5DH-22141-00	D - 6	5NG-23103-00	D - 11		D - 12	4X8-24512-00	D - 14	5GS-25872-00	E - 9
4EW-18185-00	C - 14	5MV-22151-00	D - 6	5NG-23103-10	D - 11	4SS-23158-L0	D - 11	3AJ-24523-00	D - 14	5MV-25873-00	E - 11
5BE-18501-00	C - 13	5JG-22156-00	D - 6	5BF-23110-L0	D - 12		D - 12	3AJ-24534-00	D - 14	5DH-25875-00	E - 4
5BE-18502-10	C - 13	5ET-2217A-00	D - 6	5MV-23111-L0	D - 11	5NG-2316A-00	D - 11	5MV-24610-00	D - 14	2VM-25876-00	E - 11
5BE-18503-00	C - 13	5DH-2217F-01	D - 7		D - 12		D - 12	5JG-24710-50	E - 2	3FV-2589A-00	E - 11
5JG-18541-00	C - 13	5MV-22176-00	D - 8	5DH-23118-L0	D - 11	5NG-2316A-10	D - 11	5NG-24710-00	E - 2	5MV-2589F-00	E - 9
4BA-18542-00	C - 13	3JD-22178-10	C - 15		D - 12		D - 12	5BE-24728-00	E - 2	5BE-25894-00	E - 11
5DH-18562-00	C - 6	4EW-22178-00	C - 15	3JD-2312G-L0	D - 11	5BF-2317M-00	E - 13	5JG-24731-50	E - 2	5BE-25895-00	E - 11
5NG-21101-00-PO	C - 15	5MV-22184-00	D - 8		D - 12	5MV-23170-L0	D - 11	5NG-24731-00	E - 2	5DH-25916-00	E - 4
5BE-2117M-01	E - 11	4XM-22199-00	D - 6	5DH-23120-L0	D - 11		D - 12	4DA-25104-00	E - 3		E - 7
5NG-21190-00-PO	C - 15	5NG-22201-00	D - 8	5ET-23125-L0	D - 11	5NG-23170-10	D - 11	5BF-25111-01	E - 3	5DH-25919-00	E - 4
5NG-21338-00	D - 2	5NG-22201-10	D - 8		D - 12		D - 12	5DH-25117-00	E - 3	5DH-25919-50	E - 7
5HD-2135F-00	D - 7	5NG-22201-30	D - 8	5HD-23136-L0	D - 11	5ET-23171-L0	D - 11	5BE-25181-00	E - 3	8CR-25924-00	E - 7
5BE-21417-00	D - 2	5NG-22201-40	D - 8	5DH-2314E-00	E - 4		D - 12	5DH-25183-00	E - 3	5DH-25933-00	E - 4
5BE-21425-01	C - 15	5NG-22210-00	D - 8	5DH-2314F-L0	D - 12	5DH-23183-00	D - 8	5BF-25190-01	E - 3	4XM-26111-00	E - 8
5GR-21425-01	C - 15	5NG-22210-10	D - 8	4SS-2314G-L0	D - 12	509-23184-L0	D - 8	5GS-25304-00	E - 5	5BE-26240-00	E - 8
5GS-21458-50	E - 10	5NG-22210-30	D - 8	5DH-2314H-00	D - 13	5DH-23195-L0	D - 11	5ET-25311-00	E - 5	4GY-26241-00	E - 8
5BE-2147A-00	D - 2	5NG-22210-40	D - 8	5BF-2314J-00	D - 13		D - 12	5ET-25317-00	E - 5	4GY-26242-00	E - 8
5NG-2147A-10	D - 2	5DH-22212-10	F - 4	4SR-23141-L0	D - 11	4EW-2331E-L1	D - 13	4XM-25364-00	E - 5	3Y1-26249-00	E - 8
5BE-21471-00	D - 2	5DH-22212-20	D - 8		D - 12	5HC-2331E-00	D - 13	5ET-25367-00	E - 6	5BE-26281-00	E - 8
5HD-21511-00	D - 3		F - 4	4SS-23141-10	F - 4	5GS-23340-50	D - 12	5ET-25381-00	E - 6	5BE-26282-00	E - 8
4XL-2153A-10	D - 13	5DH-22212-30	D - 8	4SS-23141-20	F - 4	5GS-23340-60	D - 12	5ET-25383-00	E - 5	5JG-26302-50	E - 8
4ES-2153E-01	D - 3		F - 4	4SS-23141-30	F - 4	4SS-23346-L0	D - 12	5ET-25388-00	E - 5	5JG-26335-00	E - 8

NUMERICAL INDEX

PART NO.	GRID NO.	PART NO.	GRID NO.	PART NO.	GRID NO.	PART NO.	GRID NO.	PART NO.	GRID NO.	PART NO.	GRID NO.
5HD-26337-00	F - 2	5BF-84335-00	E - 14	90119-06060	D - 5	90201-08512	B - 8	90387-086N4	C - 15	90465-16258	E - 9
5HD-26342-00	E - 8	55U-84337-00	E - 14	90119-06096	D - 3	90201-086P8	C - 15	90387-1003G	E - 10	90467-08017	D - 5
583-26352-00	F - 2	5BF-84397-00	E - 14	90119-06163	D - 3	90201-087A9	C - 8	90387-124F4	C - 14	90467-10008	D - 14
5HD-26372-00	F - 2	5BF-84710-00	E - 15	90119-06214	D - 14	90201-101A4	B - 2	90387-16005	D - 6	90467-11106	B - 2
5MV-26372-00	E - 8	36Y-84714-40	E - 15	90119-08238	D - 4	90201-101J1	E - 12	90387-16007	D - 6	90467-12085	E - 11
4XM-27200-00	E - 10	4GY-84723-00	E - 15	90122-06035	B - 13	90201-10118	E - 11	90387-167Y9	D - 6	90467-14015	B - 3
5JG-27217-00	E - 10	4GY-84733-00	E - 15	90146-06014	B - 13		E - 9	90387-1712Y	C - 6	90467-17089	B - 14
3SP-27222-00	E - 11	5GS-85540-60	F - 3	90149-06011	D - 14	90201-10119	E - 10	90387-1714R	D - 6	90468-16191	E - 10
5BF-27311-00	E - 10	5NG-85540-00	F - 3	90149-06126	C - 6	90201-112U6	D - 9	90387-1714S	D - 6	90480-14102	E - 15
5GS-27315-50	E - 10	5NG-85540-10	F - 3	90149-06250	B - 4		E - 10	90387-2113G	C - 11	90480-14323	D - 3
5ET-27411-00	E - 10	5BE-85546-00	F - 3	90149-06324	E - 12	90201-12166	B - 10	90387-225N2	E - 8	90480-15528	B - 9
5ET-27421-00	E - 10	5BF-85550-00	E - 12	90149-06326	C - 6	90201-125L6	C - 10	90387-1721F	C - 11	90480-17218	C - 15
4GY-27491-00	E - 7	5NG-85550-00	E - 12	90149-06327	E - 4	90201-14740	D - 7	90401-08038	B - 12	90480-18549	D - 14
5BE-2814F-00	D - 2	5GS-85560-50	E - 12	90151-04048	D - 6	90201-15701	C - 7	90401-10159	B - 12	90501-043E0	C - 7
5ET-28166-00	D - 2	5NG-85560-00	E - 12	90152-06010	C - 8	90201-162H4	C - 8	90401-10172	E - 11	90501-052G5	C - 14
4GY-2831V-00	D - 10	5JG-85885-00	C - 3	90154-05073	F - 3	90201-164H4	D - 6		E - 9	90501-06022	C - 13
4GY-2832V-00	D - 10	9Y581-76113	E - 6	90157-02031	E - 13		D - 7	90430-06014	B - 7	90501-13720	C - 8
5GS-81910-50	F - 3	90101-06001	C - 8	90159-06078	D - 4	90201-167P7	C - 8		B - 8	90501-16107	C - 8
5BE-82310-00	F - 3	90101-06664	C - 14	90159-06092	C - 9	90201-20276	C - 8	90430-08119	B - 12	90501-22003	C - 9
5BE-82370-00	F - 3	90101-08777	E - 5	90159-06182	D - 4	90201-203U1	E - 6		C - 15	90501-23141	C - 9
5NG-82509-00	F - 3	90101-10738	E - 10	90159-06189	E - 14	90201-20685	C - 8	90430-10188	B - 12	90506-16500	E - 10
5NG-82509-10	F - 3	90105-05361	D - 10	90170-14171	B - 4	90201-247L2	D - 10	90430-12213	C - 6	90506-35473	E - 10
5BE-82540-01	F - 3	90105-065A1	C - 7	90170-20327	C - 9	90201-253K0	C - 11	90430-18130	C - 15	90508-142B5	C - 10
5HD-82911-00	F - 2	90105-06553	C - 12	90170-24373	D - 10	90201-286K9	D - 10	90445-09100	D - 14	90508-162B2	B - 7
5BE-82912-00	F - 2		C - 6	90179-06500	B - 3	90202-05193	D - 14	90445-09104	D - 14	90508-26561	C - 13
38V-82913-00	F - 2		D - 3	90179-06568	D - 6	90202-08045	B - 15	90445-09220	D - 14	90508-282B8	E - 10
2HR-83505-F0	E - 13		E - 11	90179-08270	B - 3	90206-06090	C - 5	90445-11002	D - 14	90508-282B9	E - 10
2HR-83505-G0	E - 13	90105-06690	D - 3	90179-08299	E - 6	90209-06096	B - 13	90445-112K0	B - 2	90508-291A8	C - 14
4V5-83513-00	E - 13	90105-067A6	B - 2	90179-10247	E - 12	90209-21332	C - 11	90445-114K9	D - 14	90508-30743	C - 8
5NG-83519-00	E - 13	90105-08099	C - 15	90179-16672	E - 3	90209-26348	C - 11	90450-22017	B - 10	91A20-05130	D - 5
437-83525-00	E - 13	90105-08659	E - 4	90179-20001	C - 12	90215-14204	B - 4	90450-25037	B - 9	91A21-05105	D - 5
1M1-83526-00	E - 13	90105-08752	C - 8		C - 9	90215-20231	C - 9	90450-28014	B - 9	91314-06030	B - 10
5BF-83550-00	E - 13	90105-10323	D - 8	90179-28650	D - 10	90215-21001	C - 12	90450-57092	B - 13	91316-04008	B - 15
11H-83578-00	E - 13	90105-104A7	B - 2	90183-06023	B - 14		C - 9	90450-59091	B - 13	91316-04012	B - 15
2HR-83592-00	E - 13	90105-105A2	D - 8		D - 3	90240-08120	E - 10	90450-61001	B - 13	91317-05008	D - 6
5MV-83912-00	F - 2	90105-106A3	B - 2	90185-08169	C - 15	90240-10142	E - 10	90461-10136	C - 6	91317-05014	B - 13
5BE-83913-00	F - 2	90105-10733	C - 15		E - 5	90267-32070	B - 13	90461-11099	E - 15	91317-06014	E - 9
5MV-83922-00	E - 9	90109-06027	F - 2	90185-14112	D - 7	90280-03001	B - 4	90462-10241	C - 7	91317-06016	F - 3
5HD-83951-00	F - 2	90109-063F8	C - 13	90185-16127	D - 6	90338-16148	D - 6	90464-13073	D - 5	91317-06025	B - 10
23X-83976-00	F - 2	90109-06418	B - 7	90185-20168	E - 6	90340-12059	C - 6		F - 3	91317-06040	C - 6
5BF-83976-00	F - 2	90109-065G2	B - 12	90201-03313	B - 14	90340-12112	B - 2	90464-13077	D - 5	91317-06050	C - 6
583-83981-00	F - 2	90109-065G4	E - 7	90201-05033	E - 13	90340-14128	C - 7		F - 3	91317-06060	C - 6
5BF-84310-00	E - 14	90109-066F0	B - 2	90201-06057	E - 15	90340-32123	C - 7	90464-15152	F - 3	91317-06075	C - 6
8G9-84314-00	E - 14	90109-081G1	E - 5	90201-06071	B - 9	90387-06004	B - 9	90464-15195	F - 3	91317-08020	C - 5
5BF-84319-00	E - 13	90109-142F4	D - 7	90201-06557	D - 3	90387-06009	D - 3	90464-16039	D - 5	91401-20012	E - 10
5BF-8433E-00	E - 14	90109-147F2	D - 7	90201-08089	E - 10	90387-0614M	B - 9	90464-16061	F - 3	91401-25015	E - 10
5BF-84330-00	E - 14	90110-08096	C - 15	90201-08326	E - 5	90387-065L5	E - 15	90464-29223	F - 2	91808-16023	B - 2
5BF-84334-00	E - 14	90119-05071	D - 10	90201-08410	C - 3	90387-0701A	D - 3	90465-13152	F - 3	91812-16001	C - 7

NUMERICAL INDEX

PART NO.	GRID NO.	PART NO.	GRID NO.	PART NO.	GRID NO.	PART NO.	GRID NO.	PART NO.	GRID NO.	PART NO.	GRID NO.
92014-06016	E - 11	93306-30633	B - 4	95027-06012	B - 9	95827-06014	B - 7				
92017-05008	E - 13	93306-90403	E - 3		E - 7	95827-06016	D - 4				
92017-08055	C - 15	93306-90501	C - 13	95027-06016	D - 14	95827-06020	F - 3				
92907-06100	E - 2	93310-634B0	B - 4		E - 7	95827-08012	C - 15				
92907-06600	B - 7	93311-62574	B - 4	95027-06020	B - 12	97007-05016	F - 2				
92907-08200	E - 4	93315-11206	C - 10		C - 14	97007-06012	E - 2				
92990-10200	E - 10	93315-32056	D - 6	95027-06025	B - 10	97027-06016	B - 7				
93101-14164	C - 7		D - 7		B - 11	97706-40530	E - 15				
93102-12106	B - 8	93317-22262	D - 6		B - 7	97707-50012	B - 13				
	C - 14	93332-00068	D - 10		B - 8	97707-60016	D - 3				
93102-12224	B - 7	93332-00081	D - 10		B - 9	97780-40010	E - 15				
	C - 10	93340-21505	C - 9	95027-06030	B - 9	97780-50510	E - 11				
93102-20108	C - 8	93342-22217	D - 6		C - 7	97801-03008	D - 14				
93102-26468	E - 3	93410-20038	C - 8	95027-06040	B - 3	98507-04014	F - 2				
93102-32480	C - 11	93420-18082	B - 4		C - 7	98507-05020	E - 8				
93106-22019	D - 6	93420-19084	B - 4	95027-06050	D - 6	98507-06025	C - 6				
93106-30044	E - 5	93440-10085	B - 10	95027-06065	B - 12	98706-04012	E - 9				
93106-30045	E - 5		C - 10	95027-08012	D - 2	98706-04040	E - 11				
93109-11073	B - 8	93440-10153	B - 2	95027-08020	E - 4	98707-06025	D - 14				
93109-20076	D - 6	93440-25084	C - 11	95027-08035	D - 10	98907-05020	F - 2				
	D - 7	93440-28062	C - 11	95027-08040	C - 15	98907-06020	D - 14				
93109-28043	D - 6	93440-41178	B - 7		D - 10	98980-06008	C - 5				
93210-07003	B - 12	93501-04011	C - 8	95027-08065	C - 15	99001-08600	B - 10				
93210-07135	B - 12	93503-08007	C - 7	95027-10020	E - 10	99009-12400	B - 10				
93210-09008	B - 12	93511-32027	C - 10	95301-08700	E - 11	99009-16400	C - 8				
93210-10197	B - 10	93603-17070	B - 10	95607-05100	B - 13	99009-20400	C - 8				
	C - 6	93604-10011	B - 8		F - 2	99009-22500	C - 7				
93210-11073	E - 10	93608-33002	C - 14	95607-06100	F - 2	99009-45500	E - 5				
93210-12759	B - 12	93612-16254	B - 3	95607-10200	C - 15	99244-00200	D - 7				
93210-14369	C - 7	9383E-14215	C - 12		D - 8	99530-08012	B - 10				
93210-15620	E - 11	94108-21008	E - 3	95617-06635	B - 2	99530-08016	C - 7				
93210-16500	B - 9	94111-18008	E - 5	95617-08620	B - 2	99530-10114	B - 10				
93210-19123	D - 2	94212-18188	E - 5	95617-08635	B - 2		C - 6				
93210-19216	C - 8	94227-21101	E - 3	95617-10100	E - 10	99530-10116	C - 6				
93210-19758	B - 8	94309-18146	E - 5	95617-14100	D - 7	99530-14016	C - 6				
93210-21276	F - 3	94309-21161	E - 3	95701-06500	E - 9						
93210-22298	C - 11	94416-21613	E - 3	95707-06500	E - 15						
93210-32172	C - 7	94421-18610	E - 5	95707-08500	B - 2						
93210-47675	B - 12	94591-50120	B - 7		C - 15						
93300-60804	C - 15	94681-76001	E - 6	95804-06010	C - 5						
93306-00105	B - 8	94701-00329	B - 2	95804-06016	C - 5						
93306-00426	C - 11	94701-00330	B - 2	95817-08014	C - 5						
93306-00431	C - 11	95024-06020	B - 11	95817-08016	D - 2						
93306-07202	E - 5	95027-06010	C - 10	95817-10050	C - 15						
93306-20335	B - 4		D - 6	95817-10160	C - 15						
93306-20532	C - 11		E - 13	95827-06010	B - 9						
93306-20593	C - 11	95027-06012	B - 12		E - 14						
93306-27205	E - 5		B - 14	95827-06012	E - 4						

CONTENTS

ENGINE

CYLINDER	B2
CRANKSHAFT. PISTON	B4
VALVE	B5
CAMSHAFT. CHAIN	B7
WATER PUMP	B8
RADIATOR. HOSE	B9
OIL PUMP	B10
OIL CLEANER	B12
INTAKE	B13
CARBURETOR	B15
EXHAUST	C5
CRANKCASE	C6
CRANKCASE COVER 1	C7
STARTER	C8
CLUTCH	C9
TRANSMISSION	C11
SHIFT CAM. FORK	C13
SHIFT SHAFT	C14

CHASSIS

FRAME	C15
FENDER	D3
SIDE COVER	D4
REAR ARM	D6
REAR SUSPENSION	D8
STEERING	D10
FRONT FORK	D11
FUEL TANK	D14
SEAT	E2
FRONT WHEEL	E3
FRONT BRAKE CALIPER	E4
REAR WHEEL	E5

REAR BRAKE CALIPER	E7
STEERING HANDLE. CABLE	E8
FRONT MASTER CYLINDER	E9
STAND. FOOTREST	E10
REAR MASTER CYLINDER	E11
GENERATOR	E12
METER	E13
HEADLIGHT	E14
TAILLIGHT	E15
HANDLE SWITCH. LEVER	F2
ELECTRICAL 1	F3
ALTERNATE (CHASSIS)	F4

INDEX

NUMERICAL INDEX	M1
-----------------------	----